



## **Spare parts list Katalog náhradních dílů**

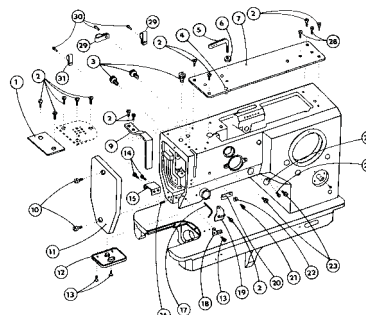
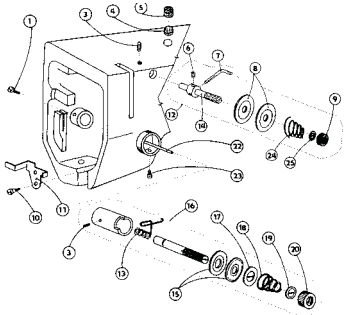
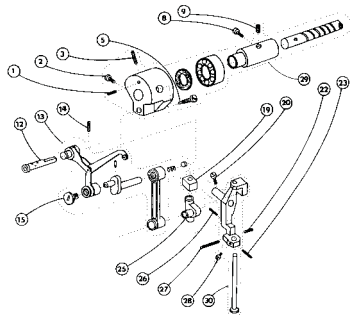
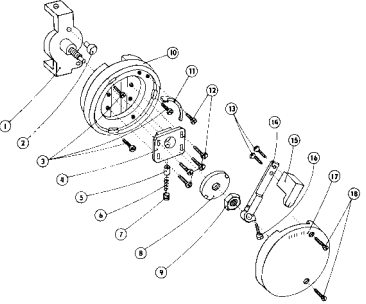
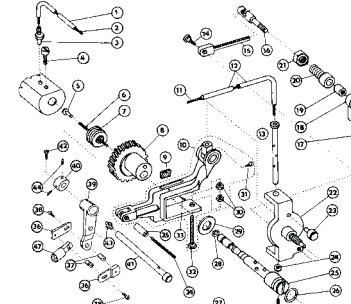
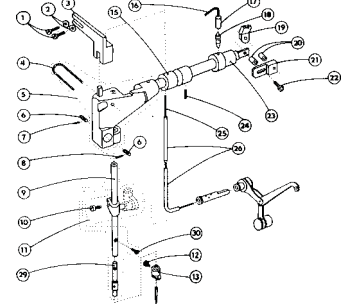
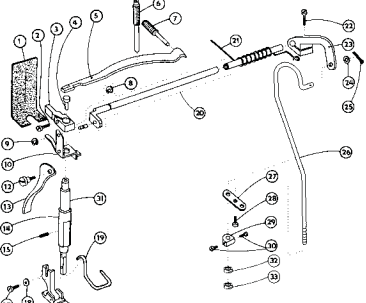
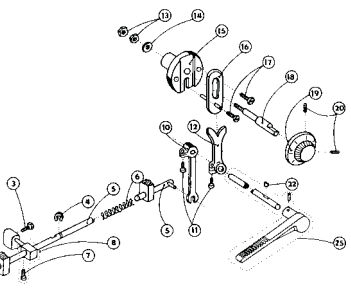
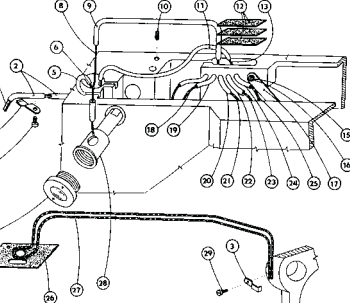
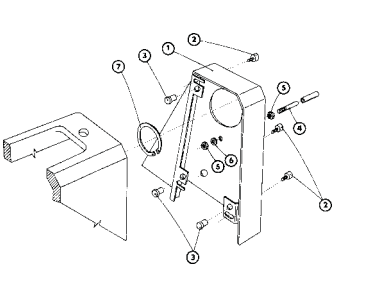
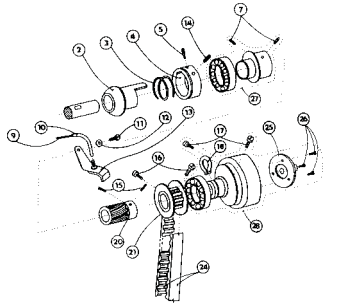
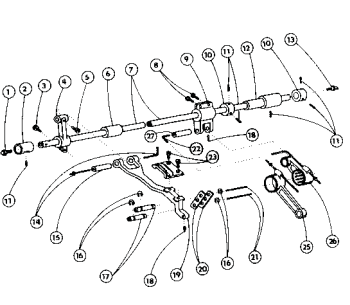
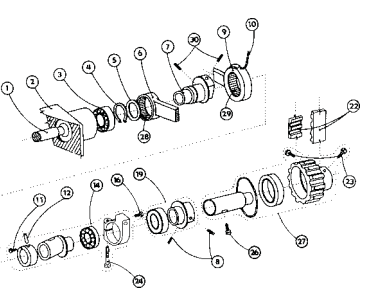
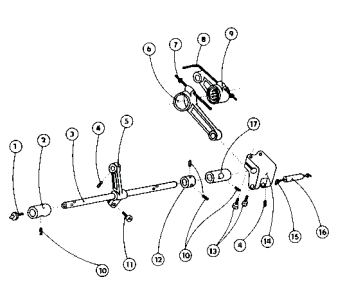
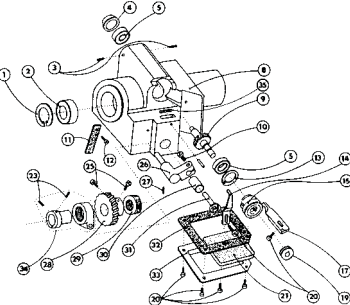
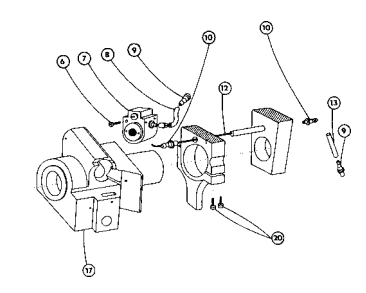
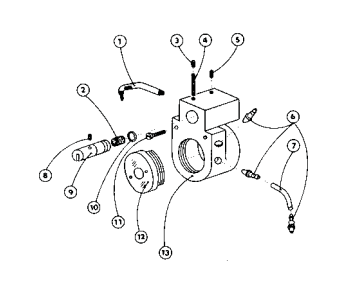
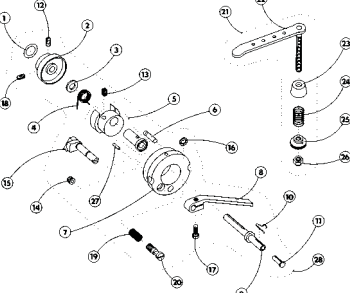
# **527 - 101**

**Jednoehlový šicí stroj s klikatým stehem, ponorným podáváním  
a ručním zpátkováním**

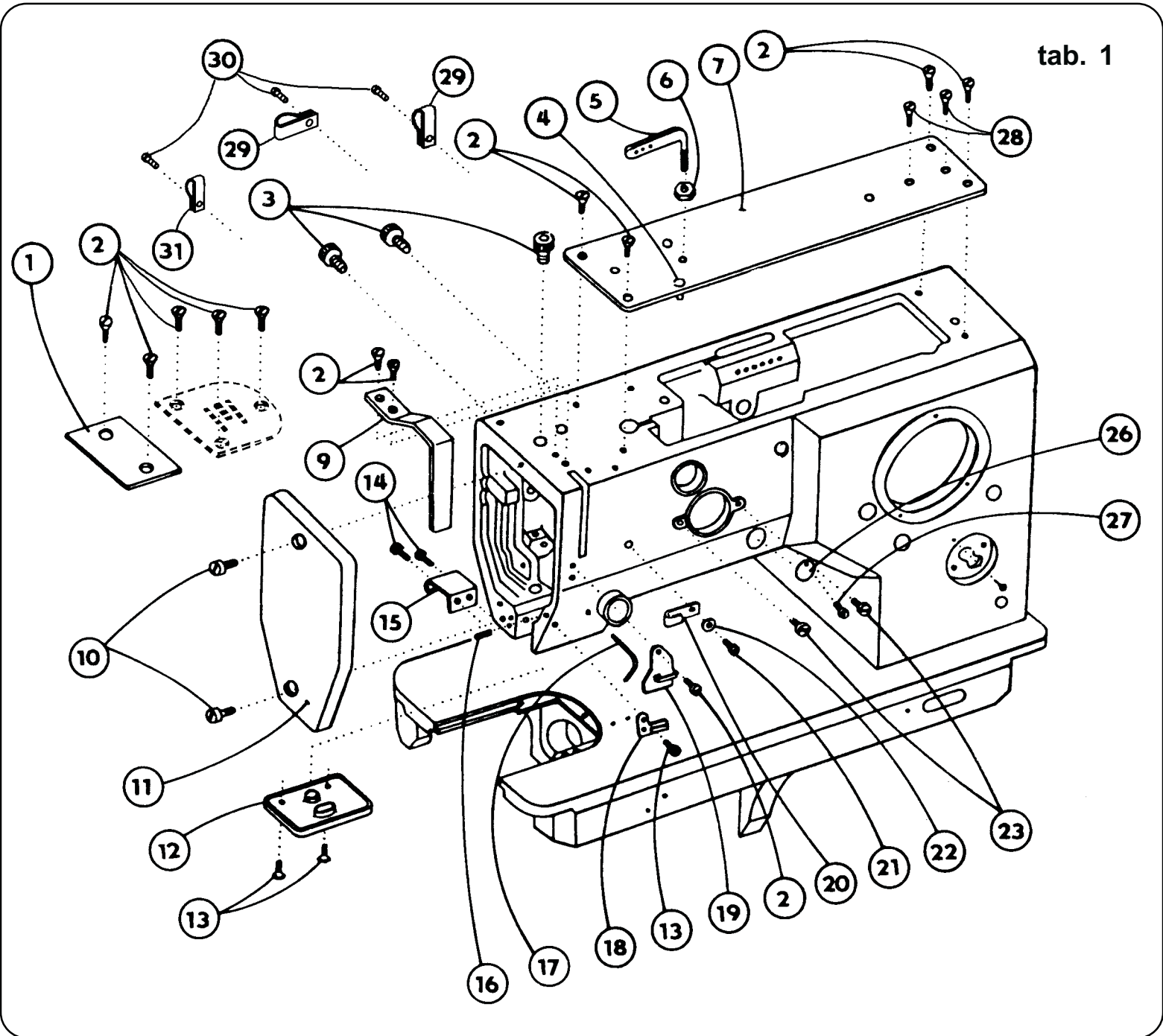
**Single needle lockstitch zigzag machine with bottom feed,  
manual backtacking**

**527-101**

**OBSAH : - Contents:**  
**Dílce hlavy - Parts of head**

|   |   |   |
|---|---|---|
| tab.1<br>    | tab.2<br>    | tab.3<br>    |
| tab.4<br>    | tab.5<br>    | tab.6<br>    |
| tab.7<br>   | tab.8<br>   | tab.9<br>   |
| tab.10<br> | tab.11<br> | tab.12<br> |
| tab.13<br> | tab.14<br> | tab.15<br> |
| tab.16<br> | tab.17<br> | tab.18<br> |

| Číslo tabulky<br>Table No.                           | Objednáací číslo<br>Ordered No. |          | Název objektu<br>Denomination  |
|--|---------------------------------|----------|--|
| tab. 19  | S980 008251                     |          | Chapač<br>Hook   |
| <b>Příbal - Enclosed accessories</b>                 |                                 |          |  |
| tab. 20  | S980 099038                     | Standard | Zvláštní příslušenství /1<br>Accessories/1                                     |
| tab. 21  | S980 099038                     | Standard | Zvláštní příslušenství /2<br>Accessories/2                                     |
| tab. 22  | S980 099038                     | Standard | Zvláštní příslušenství /3<br>Accessories/3                                     |
| tab. 23  | S980 099038                     | Standard | Zvláštní příslušenství /4<br>Accessories/4                                     |
| tab. 24  | S980 099038                     | Standard | Zvláštní příslušenství /5<br>Accessories/5                                     |
| tab. 25  | S980 092229                     | Standard | SND<br>Spare parts kit   |
| <b>Nutné vybavení - Necessary equipment</b>          |                                 |          |  |
| tab. 26  | S791 995068                     | Standard | Díly pro zpátkování pedálem<br>Parts of backtacking (with pedal)               |
| <b>Šicí vybavení - Sewing equipment</b>              |                                 |          |  |
| Tabulka šicích vybavení - Table of sewing equipments |                                 |          |  |
| tab. 27  | S791 124061 35                  | Standard | Šicí vybavení<br>Sewing equipment  |
| tab. 28  | S791 400023                     |          | Šicí vybavení<br>Sewing equipment  |
| tab. 29 - tab. 30                                    | S791 430048 35                  |          | Šicí vybavení<br>Sewing equipment  |
| tab. 29 - tab. 30                                    | S791 430060 35                  |          | Šicí vybavení<br>Sewing equipment  |
| tab. 29 - tab. 30                                    | S791 430061 35                  |          | Šicí vybavení<br>Sewing equipment  |
| <b>Volitelné vybavení - Optional equipment</b>       |                                 |          |  |
| tab. 31  | S791 149001                     |          | Vybavení pro obnitkování okrajů<br>Attachment for serging operation            |
| tab. 32  | S791 151017                     |          | Otevřená patka<br>Hinged foot with front thread slit                           |
| tab. 33  | S791 947001                     |          | Ustavovací přípravek<br>Adjustment gauges                                      |
| tab. 34  | S741 410104 40                  |          | Sada rychleopotřebovatelných náhradních dílů<br>High mortality spare parts kit |
| tab. 35  | S791 430055 35                  |          | Chapač pro jehly 140-160 Nm<br>Hook for needle size 140-160 Nm                 |
| tab. 36  | S794 222012                     |          | Návěsné osvětlení<br>Sewing lamp   |

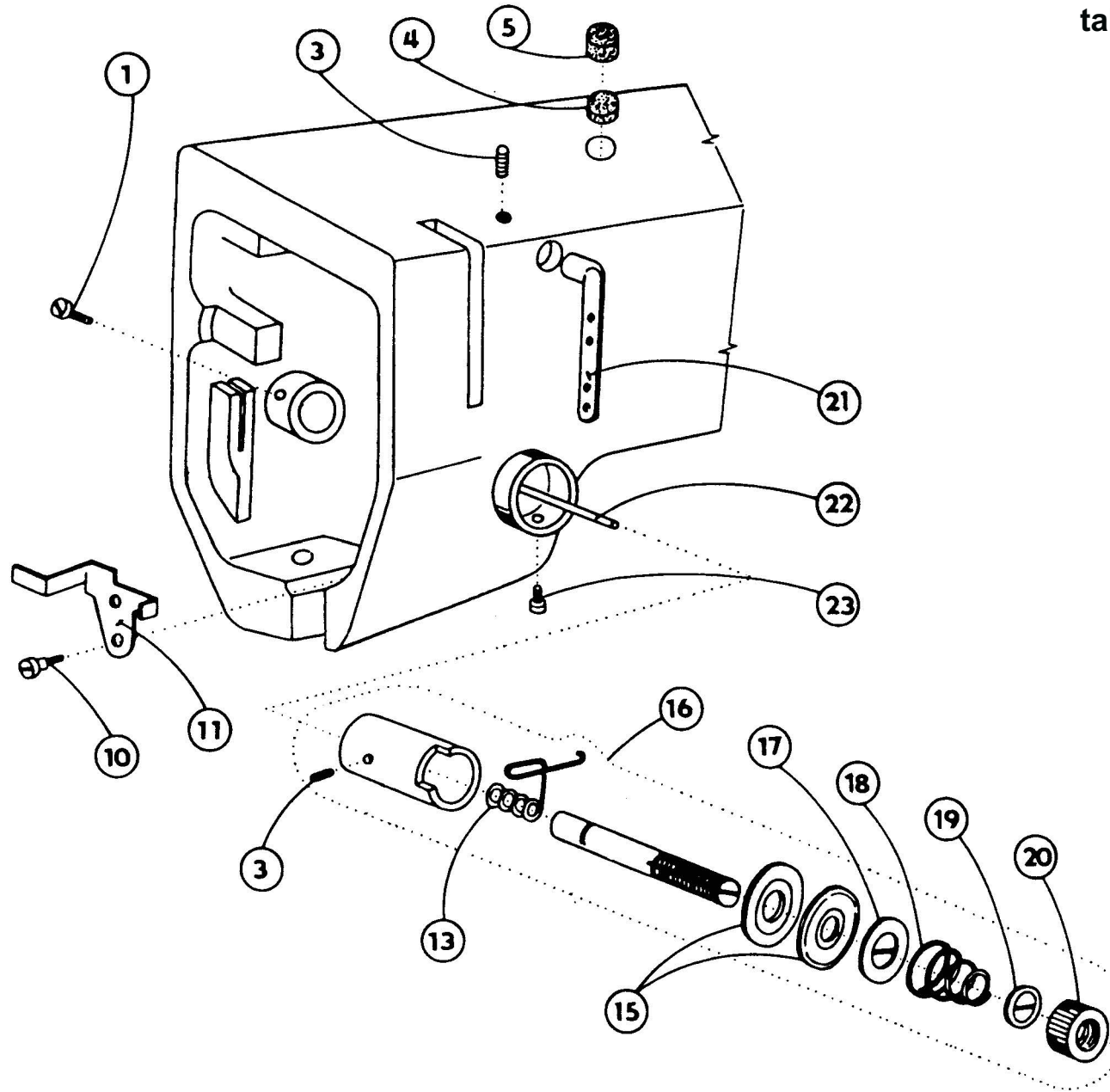


tab. 1

527 - 101

|    |      |        |
|----|------|--------|
| 1  | S080 | 647228 |
| 2  | S080 | 123117 |
| 3  | S321 | 001000 |
| 4  | S080 | 840073 |
| 5  | S080 | 313204 |
| 6  | S080 | 161138 |
| 7  | S080 | 815007 |
| 9  | S080 | 831348 |
| 10 | S080 | 120248 |
| 11 | S080 | 721173 |
| 12 | S080 | 827180 |
| 13 | S080 | 123122 |
| 14 | S080 | 126063 |
| 15 | S080 | 823149 |
| 16 | S080 | 111227 |
| 17 | S080 | 271184 |
| 18 | S080 | 821115 |
| 19 | S080 | 821077 |
| 20 | S080 | 821113 |
| 21 | S080 | 120361 |
| 22 | S080 | 190368 |
| 23 | S080 | 132112 |
| 26 | S080 | 831494 |
| 27 | S080 | 123166 |
| 28 | S080 | 132153 |
| 29 | 9840 | 120030 |
| 30 | S080 | 120331 |
| 31 | 9840 | 120028 |

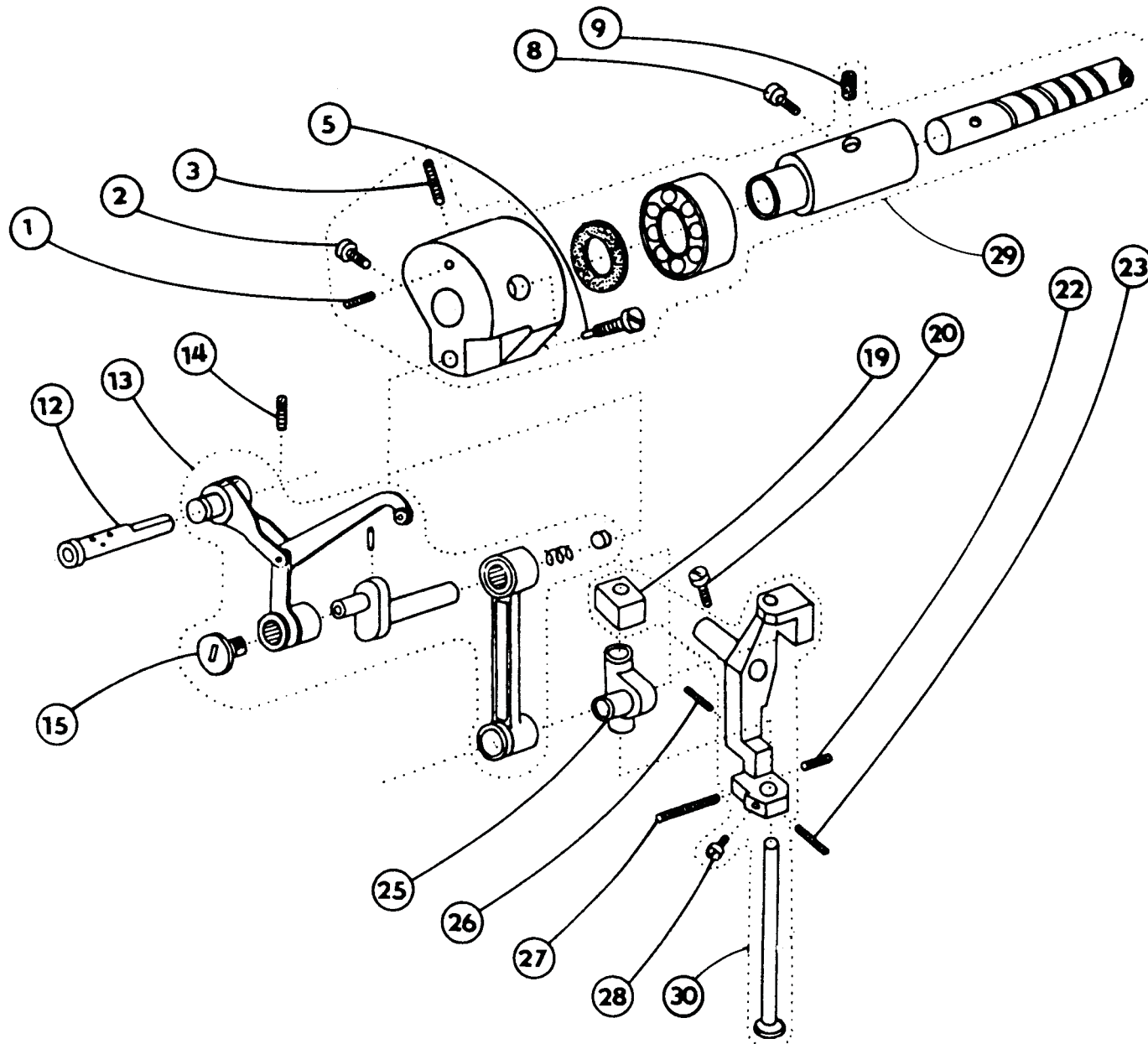
tab. 2



527 - 101

|    |      |        |
|----|------|--------|
| 1  | S080 | 120248 |
| 3  | S080 | 111227 |
| 4  | S080 | 945100 |
| 5  | S080 | 945188 |
| 10 | S080 | 131027 |
| 11 | S080 | 822424 |
| 13 | S315 | 264294 |
| 15 | S080 | 828079 |
| 16 | S980 | 025244 |
| 17 | S080 | 828080 |
| 18 | S080 | 262074 |
| 19 | S080 | 195041 |
| 20 | S080 | 171037 |
| 21 | S080 | 272039 |
| 22 | S080 | 310428 |
| 23 | S080 | 120246 |

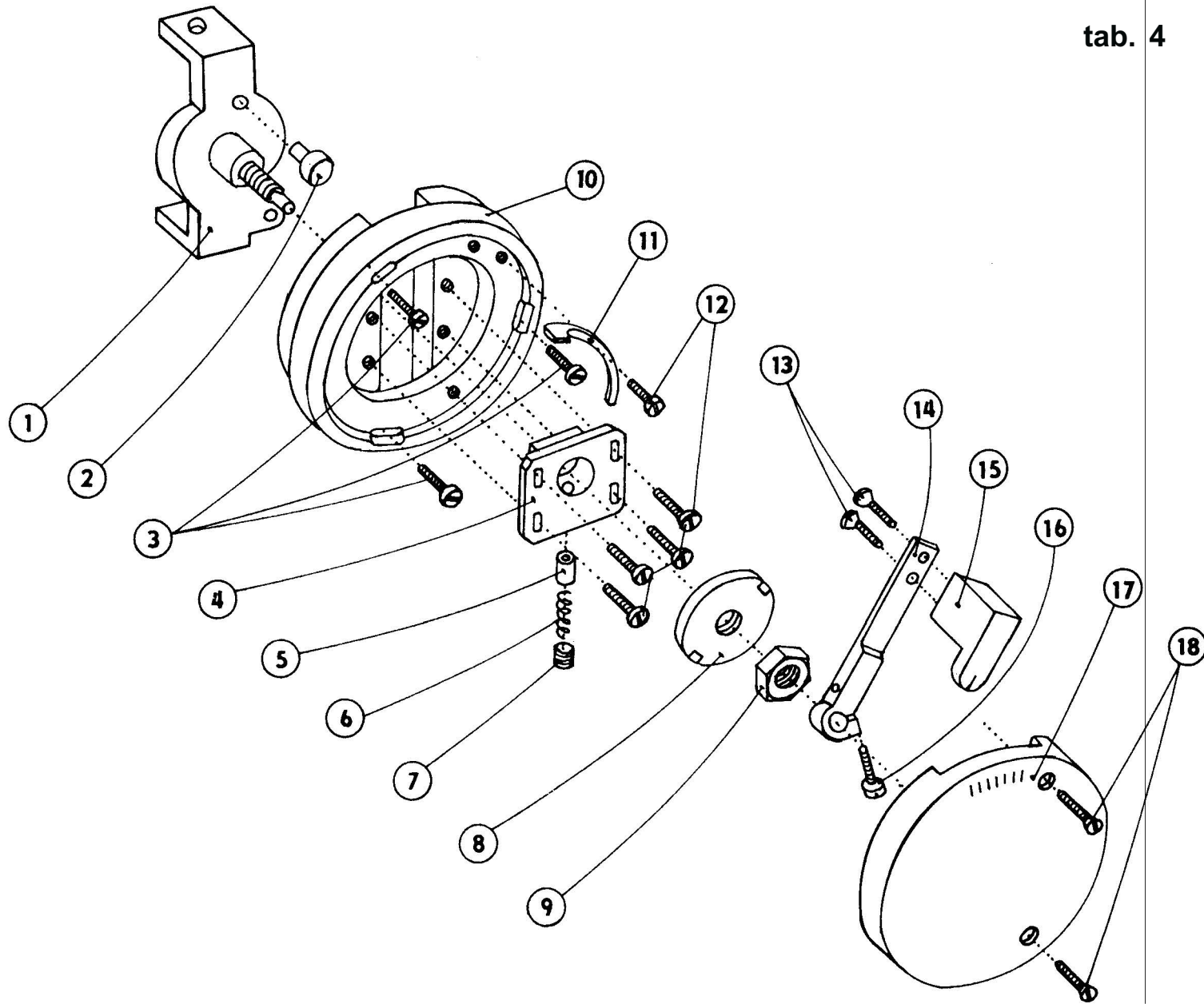
tab. 3



527 - 101

|    |       |        |
|----|-------|--------|
| 1  | S080  | 111238 |
| 2  | S080  | 122008 |
| 3  | S080  | 112015 |
| 5  | S080  | 138009 |
| 8  | S080  | 120006 |
| 9  | S 080 | 953139 |
| 12 | S080  | 328005 |
| 13 | S980  | 044727 |
| 14 | S080  | 112014 |
| 15 | S080  | 120062 |
| 19 | S080  | 953159 |
| 20 | S080  | 120248 |
| 22 | S080  | 111214 |
| 23 | S080  | 111295 |
| 25 | S080  | 452047 |
| 26 | S080  | 111273 |
| 27 | S080  | 111126 |
| 28 | S080  | 120216 |
| 29 | S980  | 043343 |
| 30 | S980  | 035318 |

tab. 4

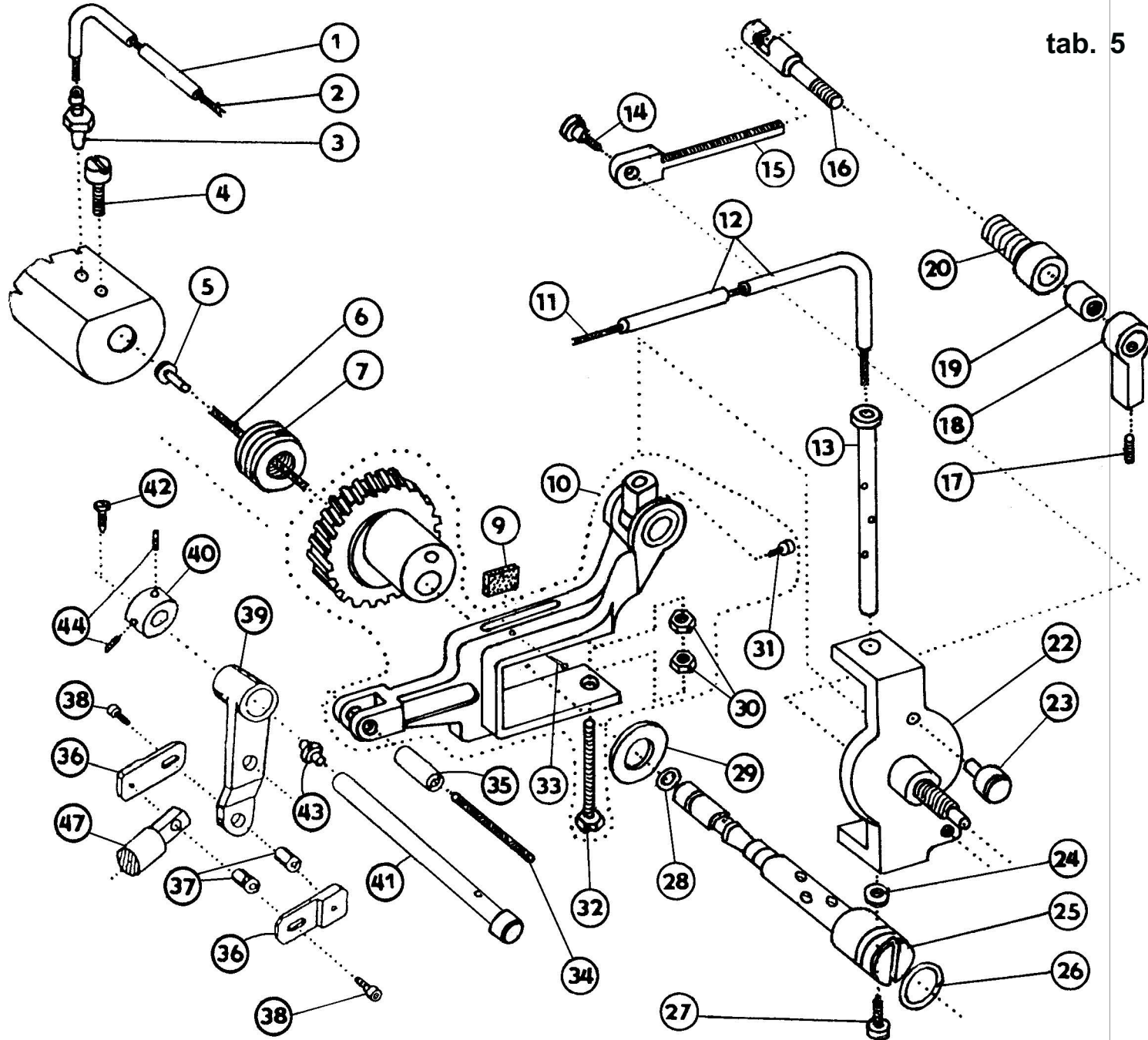


527 - 101

|    |      |        |
|----|------|--------|
| 1  | S080 | 646027 |
| 2  | S080 | 322247 |
| 3  | S080 | 120276 |
| 4  | S080 | 646120 |
| 5  | S321 | 020000 |
| 6  | S080 | 260139 |
| 7  | S080 | 111099 |
| 8  | S080 | 174066 |
| 9  | S080 | 161236 |
| 10 | S080 | 442530 |
| 11 | S080 | 839010 |
| 12 | S080 | 120219 |
| 13 | S080 | 126101 |
| 14 | S080 | 613472 |
| 15 | S080 | 952251 |
| 16 | S080 | 120543 |
| 17 | S080 | 954048 |
| 18 | S080 | 123130 |



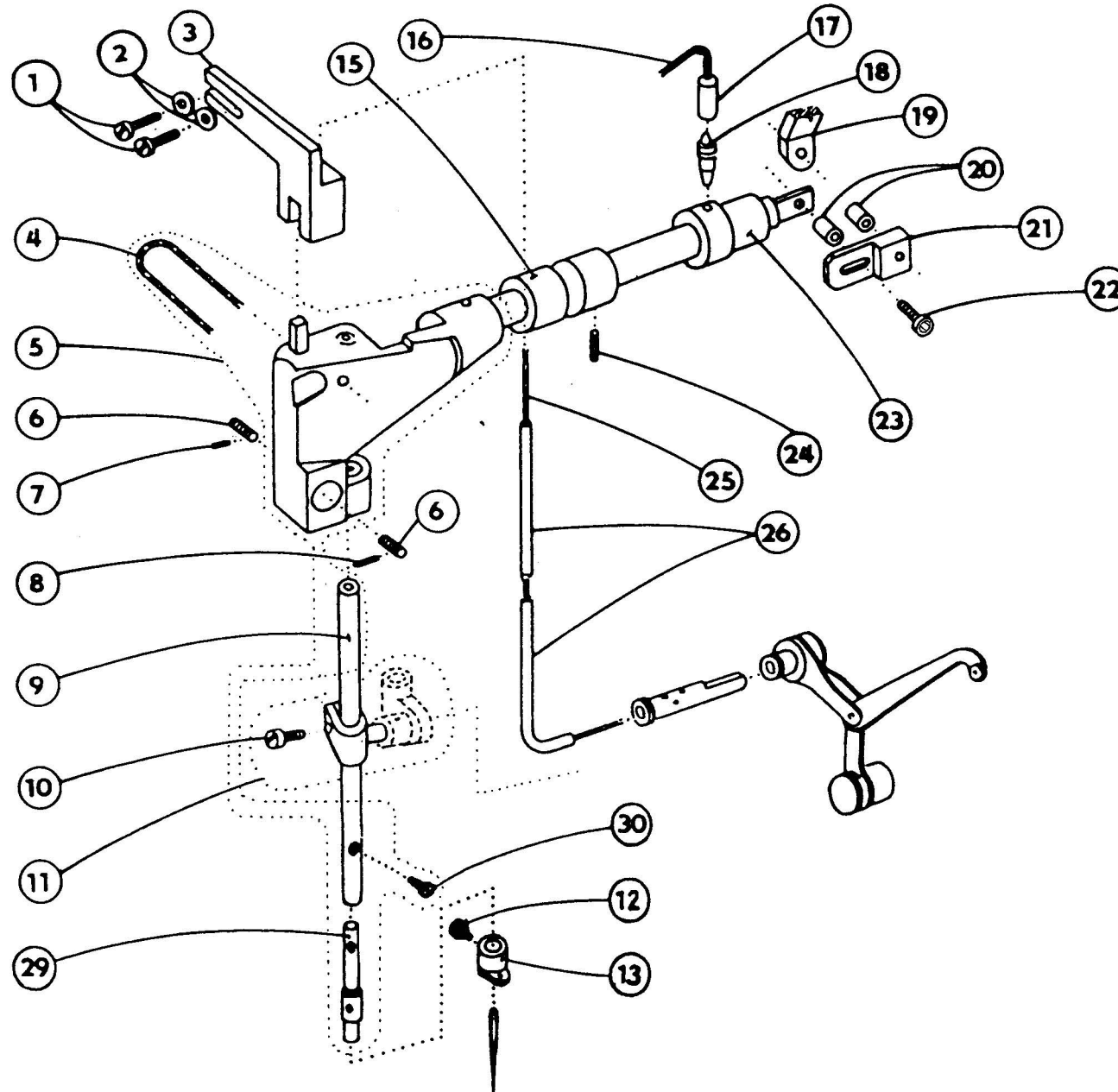
tab. 5



527 - 101

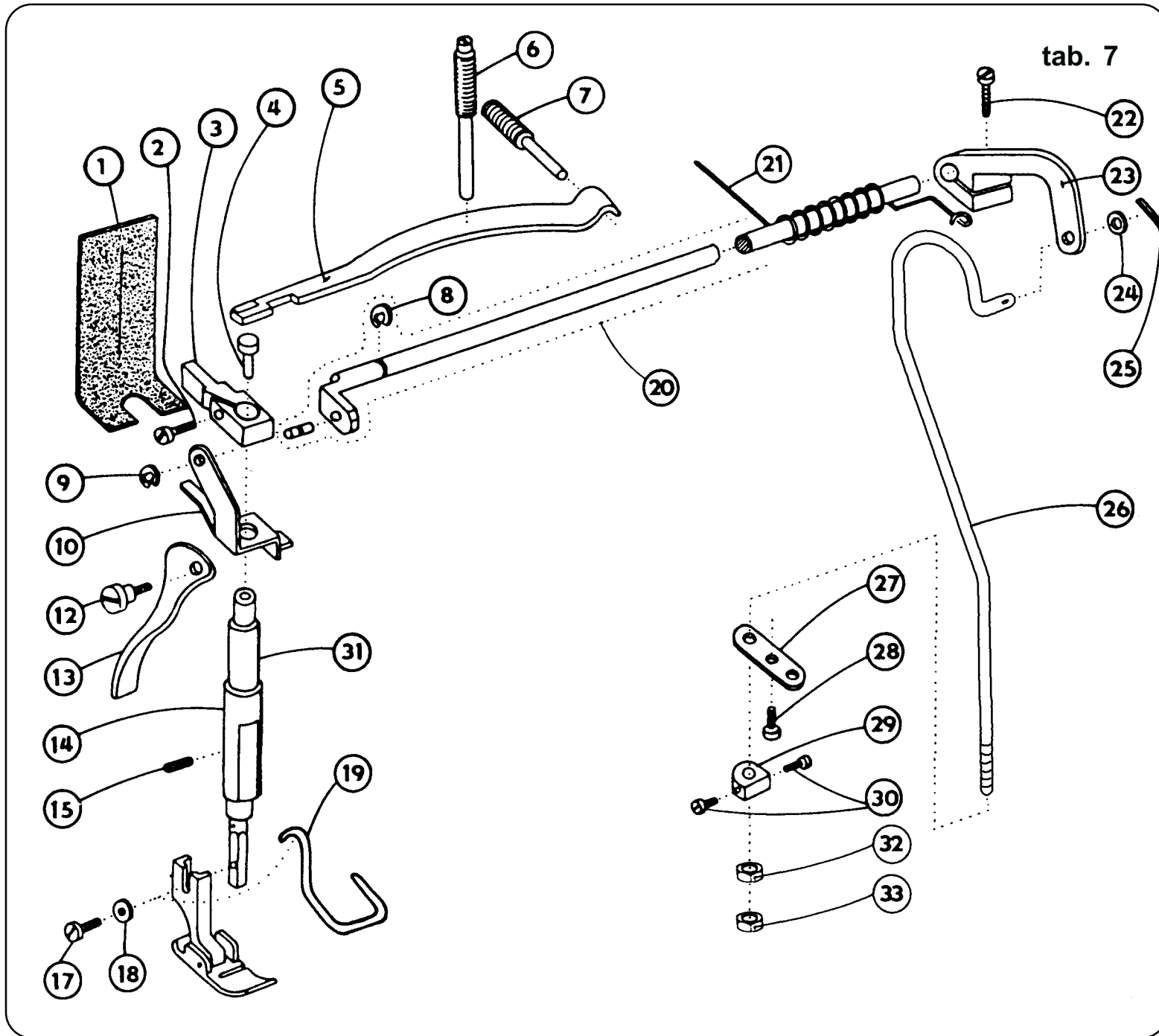
|    |      |        |
|----|------|--------|
| 1  | S283 | 002005 |
| 2  | S708 | 130002 |
| 3  | S080 | 424051 |
| 4  | S080 | 120233 |
| 5  | S080 | 951327 |
| 6  | S708 | 002105 |
| 7  | S324 | 010000 |
| 9  | S080 | 945326 |
| 10 | S980 | 035598 |
| 11 | S708 | 130002 |
| 12 | S283 | 002005 |
| 13 | S080 | 335101 |
| 14 | S080 | 131391 |
| 15 | S080 | 152099 |
| 16 | S080 | 334097 |
| 17 | S080 | 112101 |
| 18 | S080 | 612342 |
| 19 | S080 | 163093 |
| 20 | S080 | 422184 |
| 22 | S080 | 646027 |
| 23 | S080 | 322247 |
| 24 | S080 | 190359 |
| 25 | S080 | 335105 |
| 26 | S273 | 007000 |
| 27 | S080 | 120221 |
| 28 | S273 | 001001 |
| 29 | S080 | 190526 |
| 30 | S080 | 161233 |
| 31 | S080 | 120291 |
| 32 | S080 | 141223 |
| 33 | S738 | 002000 |
| 34 | S708 | 130002 |
| 35 | S080 | 318210 |
| 36 | S080 | 648132 |
| 37 | S080 | 410595 |
| 38 | S080 | 120589 |
| 39 | S080 | 613519 |
| 40 | S080 | 436000 |
| 41 | S080 | 320289 |
| 42 | S080 | 132203 |
| 43 | S425 | 041000 |
| 44 | S080 | 112013 |
| 47 | S980 | 021353 |

tab. 6



527 - 101

|    |      |                      |
|----|------|----------------------|
| 1  | S080 | 120276               |
| 2  | S080 | 190353               |
| 3  | S080 | 646104               |
| 4  | S708 | 002105               |
|    |      | ø 1,5 x 80 mm        |
| 5  | S980 | 021338               |
| 6  | S080 | 113115               |
| 7  | S080 | 111229               |
| 8  | S080 | 111248               |
| 9  | S080 | 391155               |
| 10 | S080 | 124050               |
| 11 | S980 | 035499               |
| 12 | S080 | 135029               |
| 13 | S080 | 627170               |
| 15 | S080 | 413311               |
| 16 | S708 | 002105               |
|    |      | ø 1,5x 250 mm        |
| 17 | S283 | 002005               |
|    |      | ø 3,5/ø 4,8 x 190 mm |
| 18 | S080 | 424051               |
| 19 | S080 | 613519               |
| 20 | S080 | 410595               |
| 21 | S080 | 648132               |
| 22 | S080 | 120589               |
| 23 | S080 | 421341               |
| 24 | S080 | 111222               |
| 25 | S708 | 002105               |
|    |      | ø 1,5 x 150 mm       |
| 26 | S283 | 002005               |
|    |      | ø 3,5/ø 4,8 x 70 mm  |
| 29 | S080 | 394 167              |
| 30 | S080 | 136 082              |

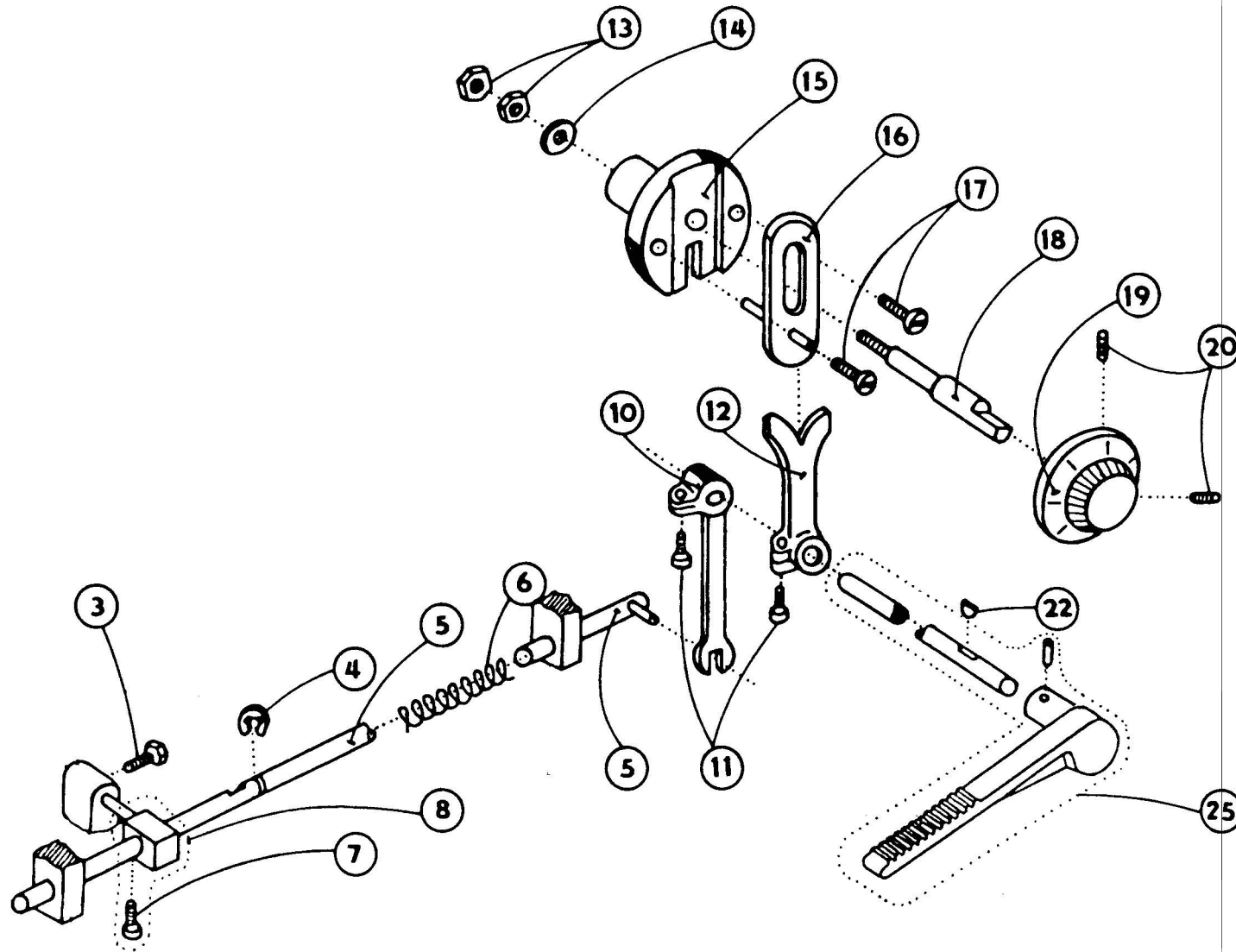


tab. 7

527 - 101

|    |      |        |
|----|------|--------|
| 1  | S080 | 945317 |
| 2  | S080 | 120543 |
| 3  | S080 | 623249 |
| 4  | S080 | 326213 |
| 5  | S080 | 283152 |
| 6  | S080 | 113122 |
| 7  | S080 | 113123 |
| 8  | S311 | 732060 |
| 9  | S311 | 732040 |
| 10 | S080 | 839215 |
| 12 | S080 | 136023 |
| 13 | S080 | 615021 |
| 14 | S080 | 421330 |
| 15 | S080 | 112014 |
| 17 | S080 | 120239 |
| 18 | S080 | 190554 |
| 19 | S080 | 271393 |
| 20 | S980 | 060209 |
| 21 | S080 | 264288 |
| 22 | S080 | 120221 |
| 23 | S080 | 633196 |
| 24 | S080 | 190346 |
| 25 | S080 | 271337 |
| 26 | S080 | 382101 |
| 27 | S080 | 814014 |
| 28 | S080 | 120217 |
| 29 | S080 | 436331 |
| 30 | S080 | 120050 |
| 31 | S080 | 392105 |
| 32 | S080 | 161139 |
| 33 | S080 | 161333 |

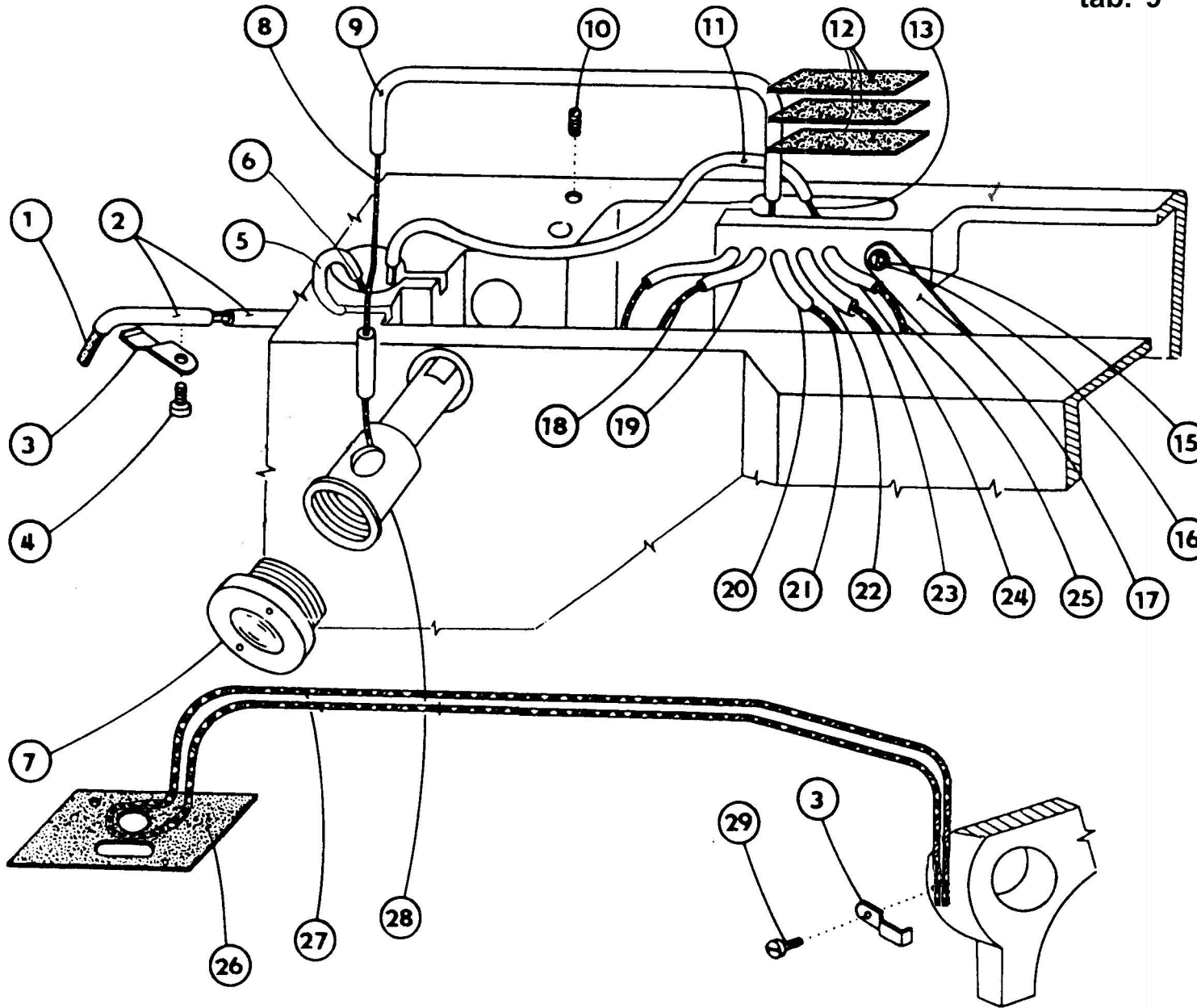
tab. 8



527 - 101

|    |      |        |
|----|------|--------|
| 3  | S080 | 141102 |
| 4  | S311 | 732070 |
| 5  | S980 | 043301 |
| 6  | S080 | 260547 |
| 7  | S080 | 120227 |
| 8  | S980 | 022126 |
| 10 | S080 | 613373 |
| 11 | S080 | 120221 |
| 12 | S080 | 613328 |
| 13 | S080 | 161142 |
| 14 | S080 | 192061 |
| 15 | S080 | 441187 |
| 16 | S980 | 049785 |
| 17 | S080 | 120246 |
| 18 | S080 | 342258 |
| 19 | S980 | 233031 |
| 20 | S080 | 112013 |
| 22 | S311 | 728537 |
| 25 | S980 | 044714 |

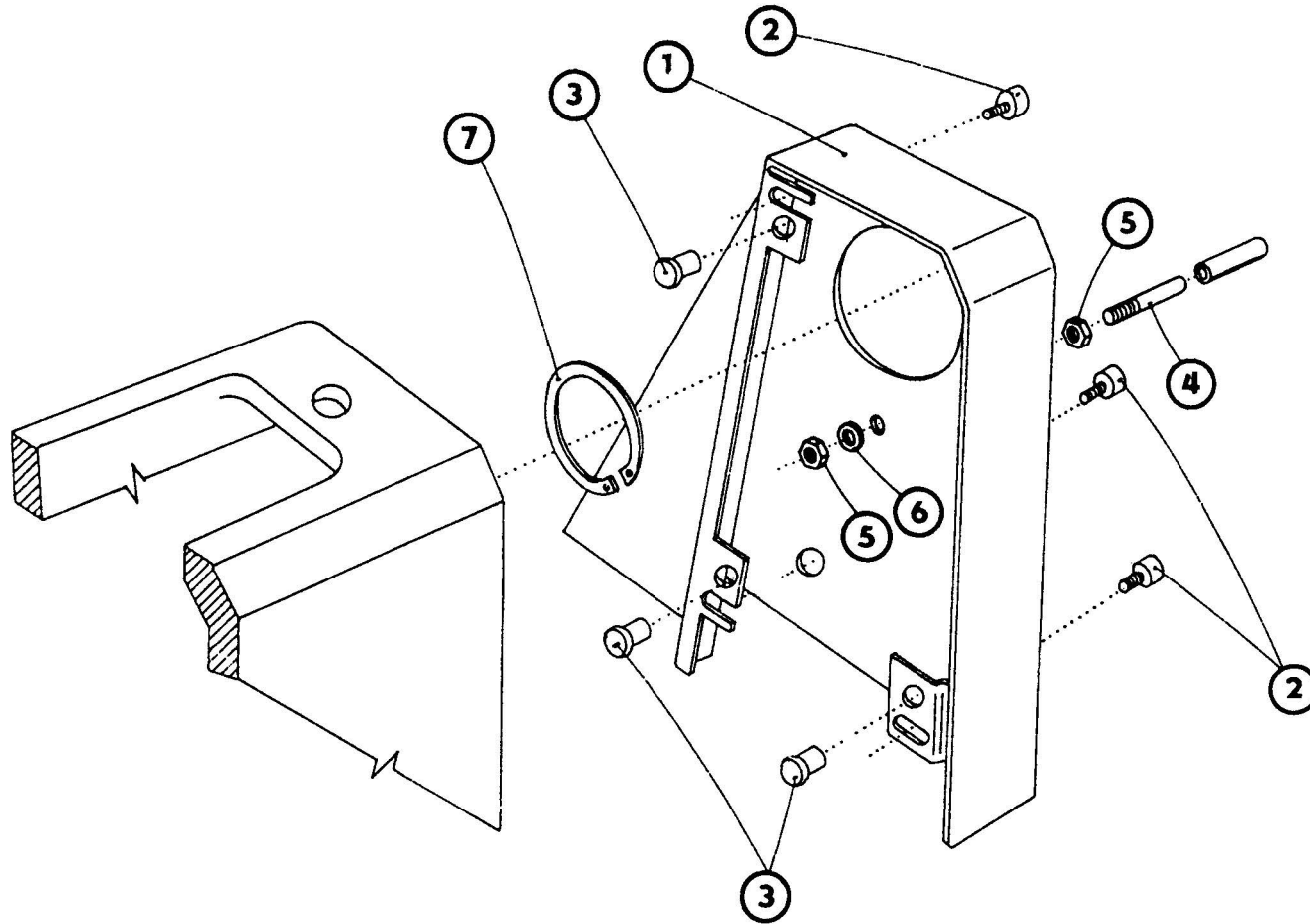
tab. 9



527 - 101

- |    |                      |        |
|----|----------------------|--------|
| 1  | S080                 | 945180 |
| 2  | S283                 | 002005 |
|    | ø 3,5/ø 4,8 x 65 mm  |        |
| 3  | S080                 | 824095 |
| 4  | S080                 | 120245 |
| 5  | S283                 | 002005 |
|    | ø 3,5/ø 4,8 x 80 mm  |        |
| 6  | S708                 | 130002 |
|    | ø 2 x 140 mm         |        |
| 7  | S321                 | 001002 |
| 8  | S708                 | 002105 |
|    | ø 1,5 x 380 mm       |        |
| 9  | S283                 | 002005 |
|    | ø 3,5/ø 4,8 x 150 mm |        |
| 10 | S080                 | 111245 |
| 11 | S283                 | 002005 |
|    | ø 3,5/ø 4,8 x 150 mm |        |
| 12 | S080                 | 945316 |
| 13 | S708                 | 002105 |
|    | ø 1,5 x 380 mm       |        |
| 15 | S080                 | 120259 |
| 16 | S080                 | 190359 |
| 17 | S980                 | 041176 |
| 18 | S708                 | 130002 |
|    | ø 2 x 320 mm         |        |
| 19 | S283                 | 002005 |
|    | ø 3,5/ø 4,8 x 250 mm |        |
| 20 | S283                 | 002005 |
|    | ø 3,5/ø 4,8 x 210 mm |        |
| 21 | S708                 | 130002 |
|    | ø 2 x 270 mm         |        |
| 22 | S283                 | 002005 |
|    | ø 3,5/ø 4,8 x 90 mm  |        |
| 23 | S708                 | 130002 |
|    | ø 2 x 130 mm         |        |
| 24 | S283                 | 002005 |
|    | ø 3,5/ø 4,8 x 100 mm |        |
| 25 | S708                 | 130002 |
|    | ø 2 x 140 mm         |        |
| 26 | S080                 | 945286 |
| 27 | S708                 | 130004 |
|    | ø 4 x 1120 mm        |        |
| 28 | S080                 | 441313 |
| 29 | S080                 | 120216 |

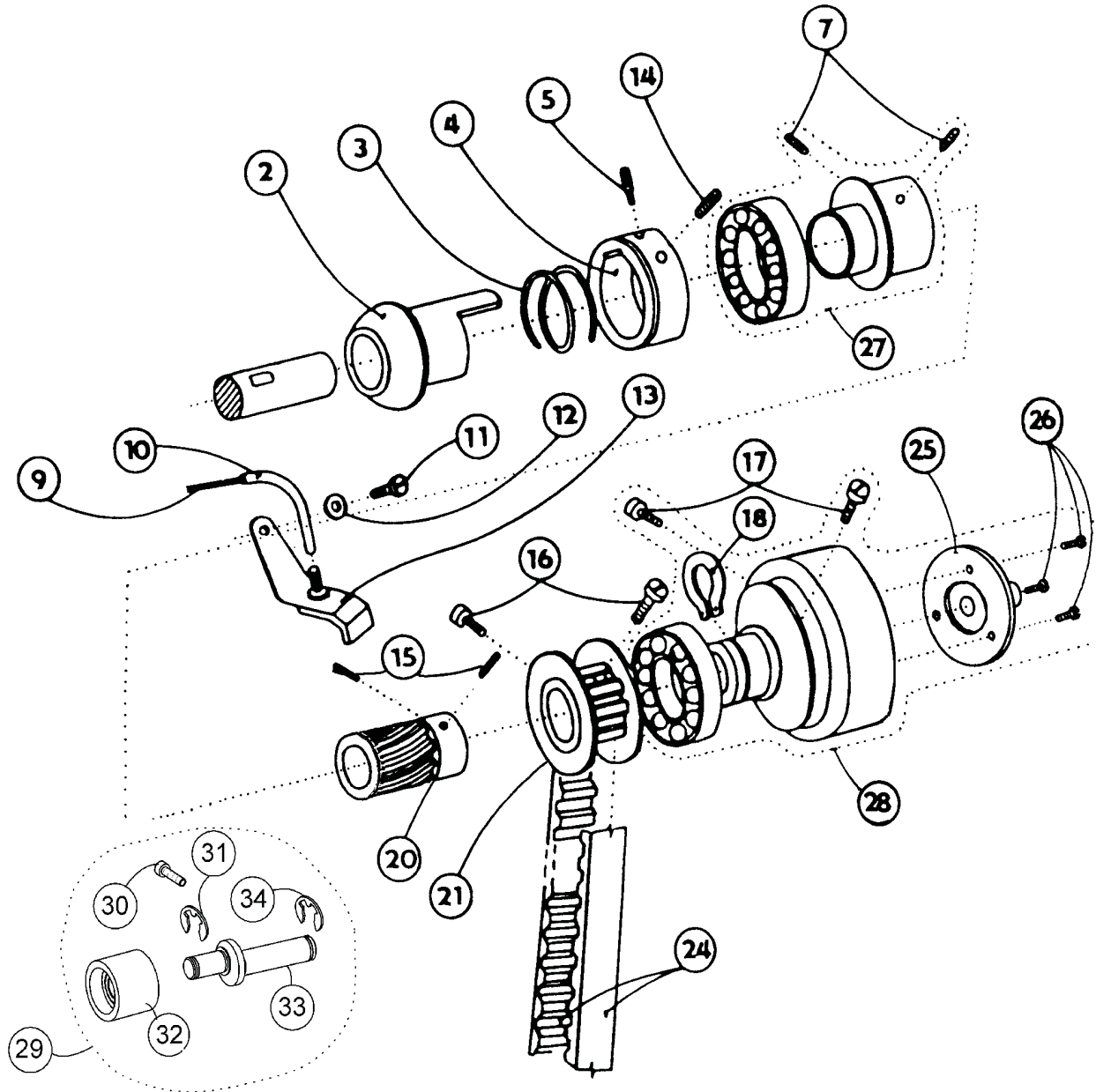
tab. 10



527 - 101

|   |      |        |
|---|------|--------|
| 1 | S980 | 041162 |
| 2 | S080 | 120346 |
| 3 | S273 | 005001 |
| 4 | S080 | 316096 |
| 5 | S080 | 161151 |
| 6 | S080 | 191112 |
| 7 | S311 | 733620 |

tab. 11

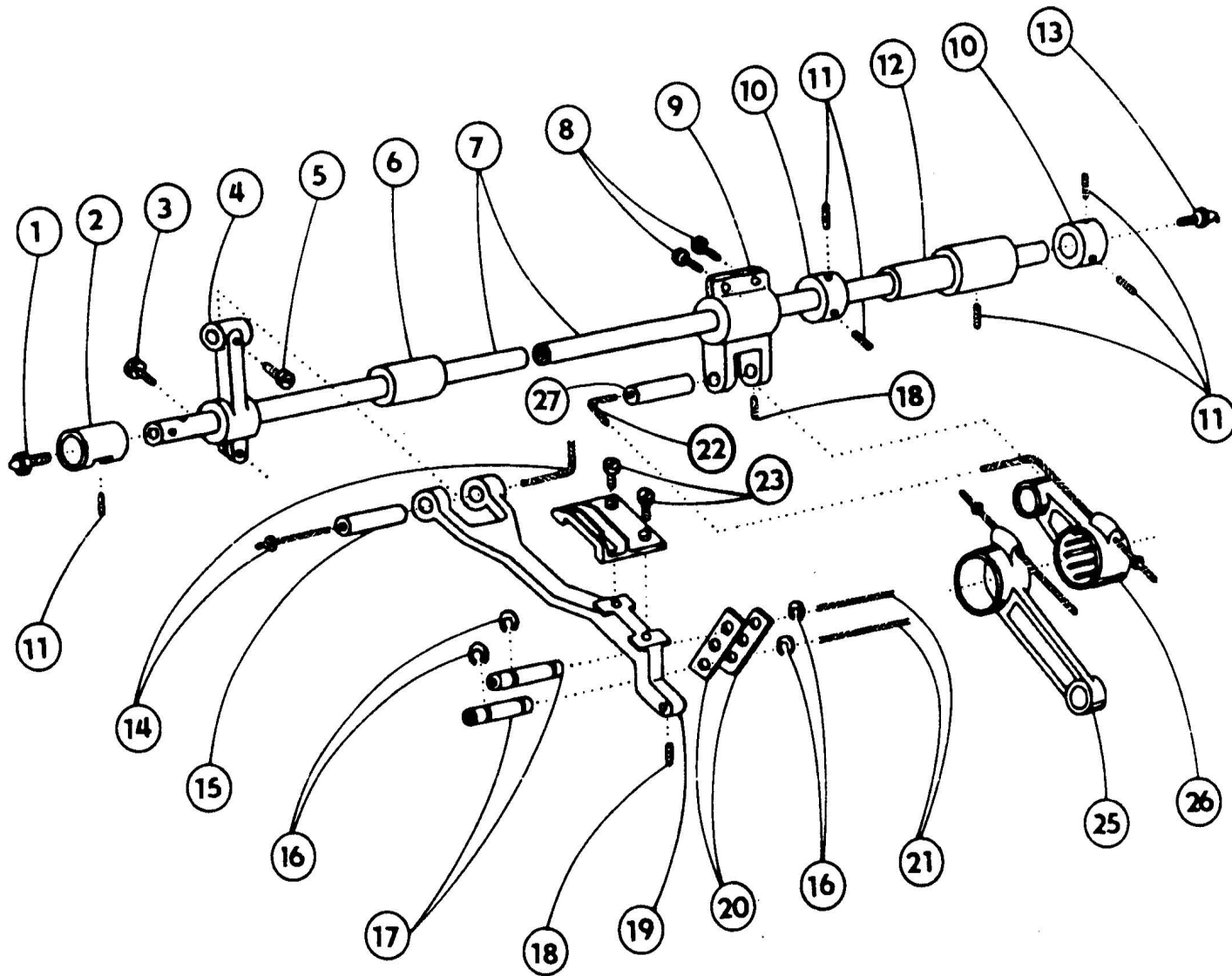


527 - 101

|    |      |                               |
|----|------|-------------------------------|
| 2  | S080 | 441541                        |
| 3  | S080 | 260467                        |
| 4  | S080 | 436338                        |
| 5  | S080 | 113115                        |
| 7  | S080 | 111225                        |
| 9  | S708 | 130002<br>ø 2 x 130 mm        |
| 10 | S283 | 002005<br>ø 3,5/ø 4,8 x 90 mm |
| 11 | S080 | 120259                        |
| 12 | S080 | 190359                        |
| 13 | S980 | 041176                        |
| 14 | S080 | 112013                        |
| 15 | S080 | 111343                        |
| 16 | S080 | 122029                        |
| 17 | S080 | 120006                        |
| 18 | S311 | 733300                        |
| 20 | S980 | 045330                        |
| 21 | S980 | 045315                        |
| 24 | S272 | 011015                        |
| 25 | S080 | 442548                        |
| 26 | S080 | 120252                        |
| 27 | S980 | 035849                        |
| 28 | S980 | 045301                        |
| 29 | S981 | 043513                        |
| 30 | 9205 | 102798                        |
| 31 | 9352 | 000090                        |
| 32 | S980 | 045578                        |
| 33 | S080 | 338247                        |
| 34 | 9352 | 000100                        |

tab. 12

527 - 101

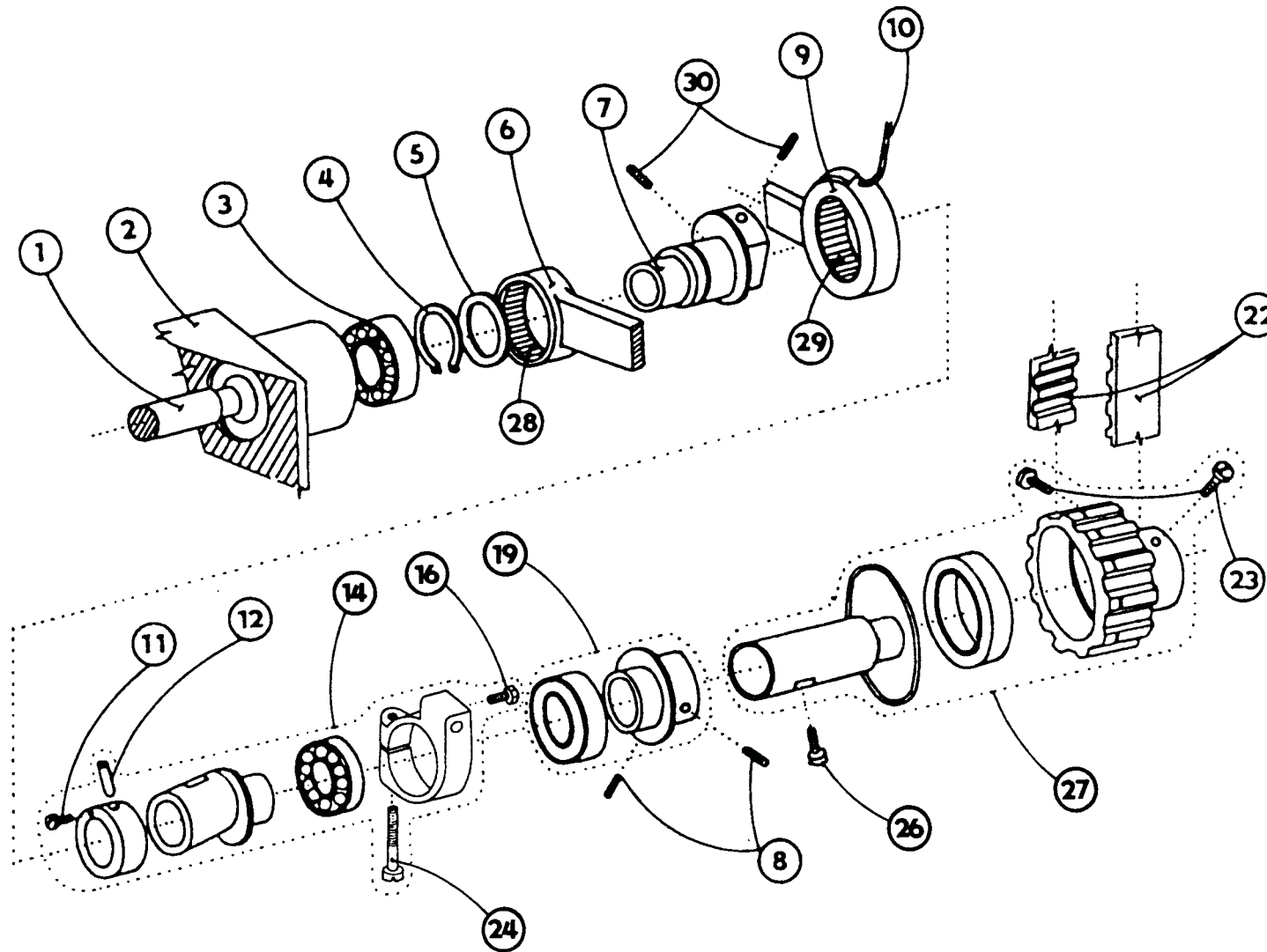


- |    |      |                |
|----|------|----------------|
| 1  | S425 | 041000         |
| 2  | S080 | 413252         |
| 3  | S080 | 141133         |
| 4  | S080 | 613495         |
| 5  | S080 | 124050         |
| 6  | S080 | 410532         |
| 7  | S080 | 345067         |
| 8  | S080 | 120229         |
| 9  | S080 | 613216         |
| 10 | S080 | 436000         |
| 11 | S080 | 112013         |
| 12 | S080 | 412193         |
| 13 | S425 | 061000         |
| 14 | S708 | 002105         |
|    |      | ø 1,5 x 160 mm |
| 15 | S080 | 338069         |
| 16 | S311 | 732050         |
| 17 | S080 | 318144         |
| 18 | S080 | 111227         |
| 19 | S080 | 622092         |
| 20 | S080 | 612109         |
| 21 | S708 | 002105         |
|    |      | ø 1,5 x 60 mm  |
| 22 | S708 | 002105         |
|    |      | ø 1,5 x 350 mm |
| 23 | S080 | 121157         |
| 25 | S080 | 630248         |
| 26 | S980 | 044045         |
| 27 | S080 | 344035         |



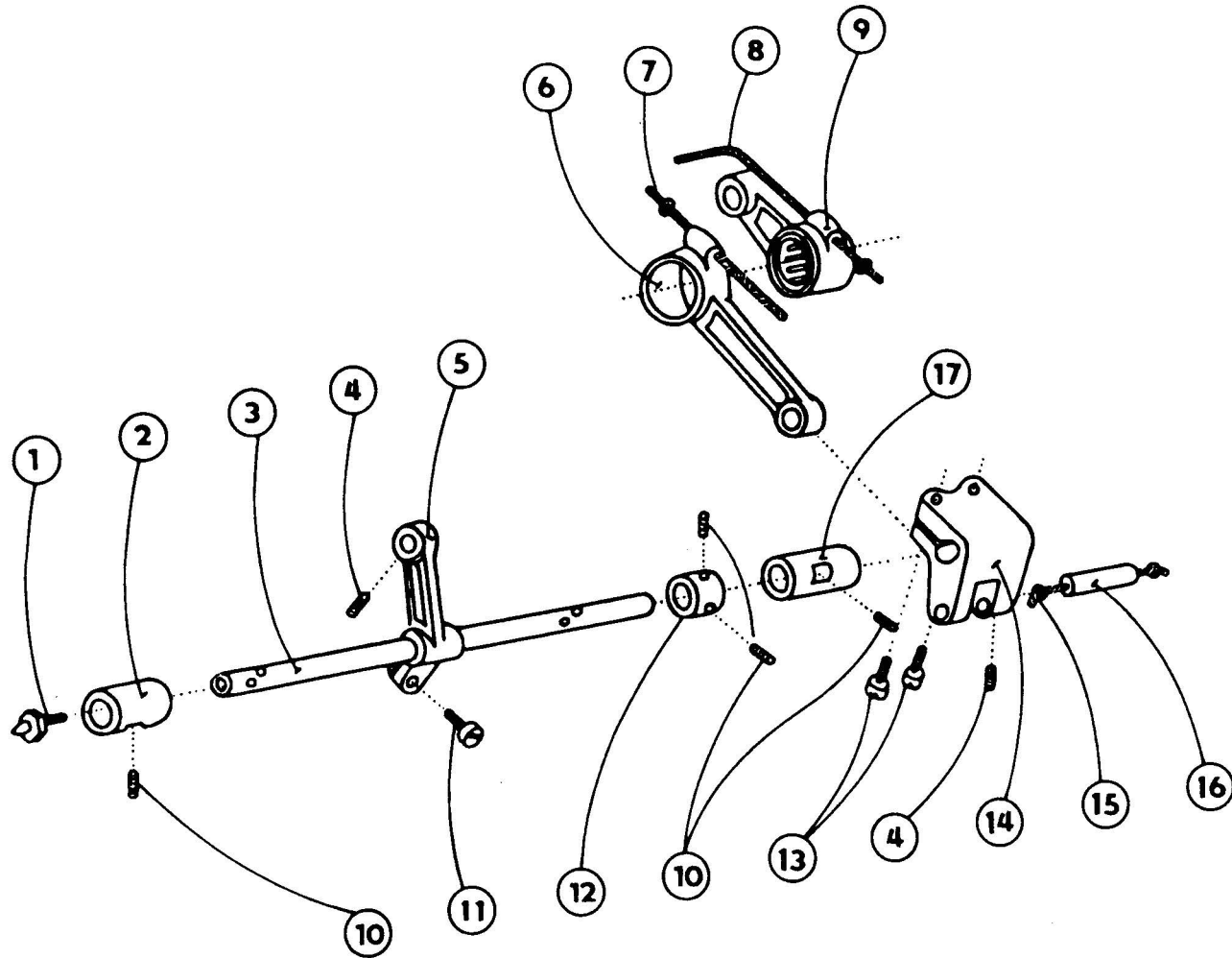
tab. 13

527 - 101



- |    |      |                |
|----|------|----------------|
| 1  | S080 | 342243         |
| 2  | S080 | 724134         |
| 3  | S324 | 020093         |
| 4  | S311 | 733180         |
| 5  | S080 | 814338         |
| 6  | S080 | 630248         |
| 7  | S080 | 671152         |
| 8  | S080 | 112013         |
| 9  | S980 | 044045         |
| 10 | S708 | 002105         |
|    |      | ø 1,5 x 350 mm |
| 11 | S080 | 141088         |
| 12 | S080 | 318103         |
| 14 | S980 | 035422         |
| 16 | S080 | 141102         |
| 19 | S980 | 035420         |
| 22 | S272 | 011015         |
| 23 | S080 | 122029         |
| 24 | S080 | 120222         |
| 26 | S080 | 122031         |
| 27 | S980 | 045231         |
| 28 | S324 | 510900         |
| 29 | S324 | 512900         |
| 30 | S080 | 111343         |

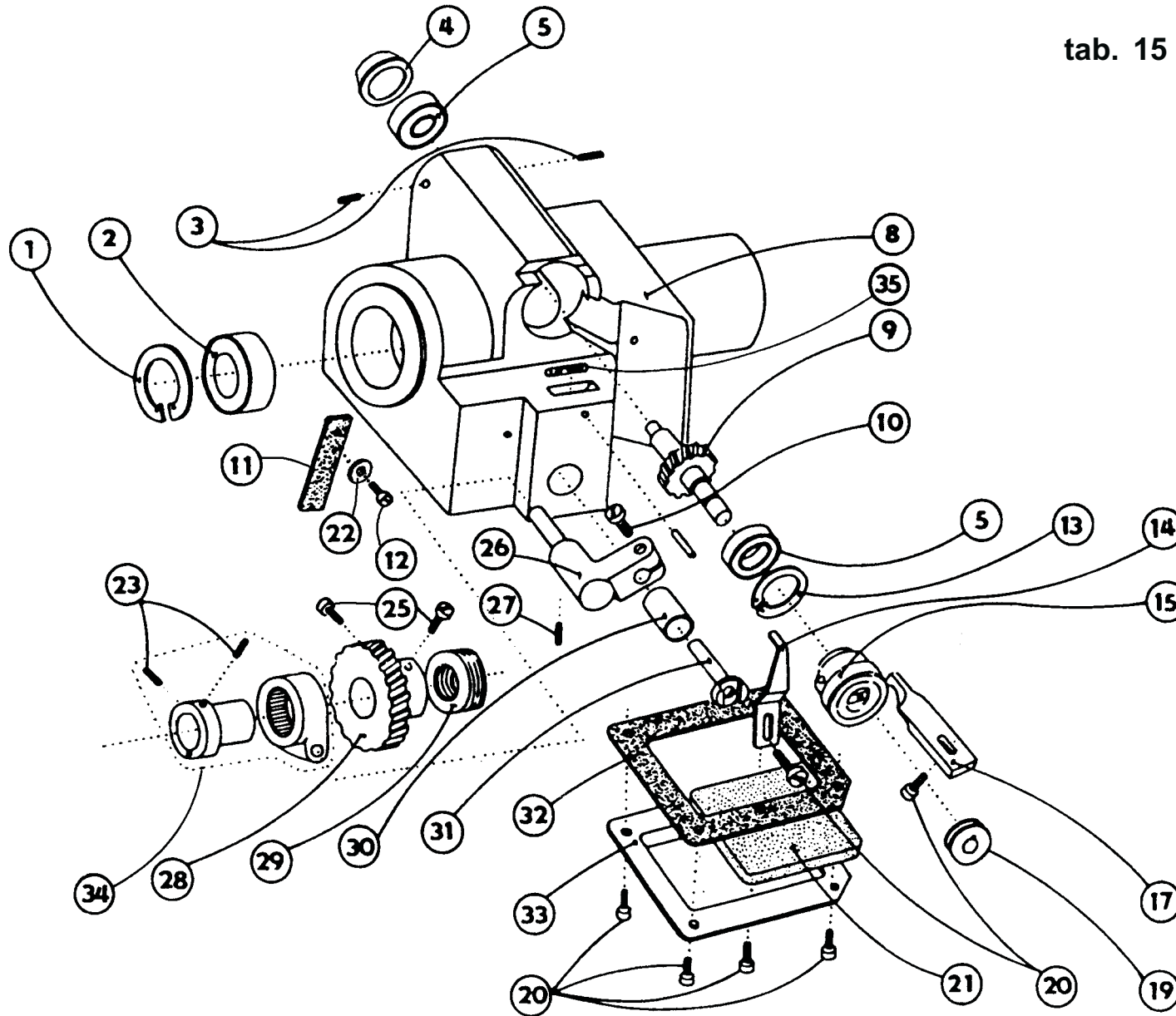
tab. 14



527 - 101

- |    |      |                |
|----|------|----------------|
| 1  | S425 | 041000         |
| 2  | S080 | 413251         |
| 3  | S080 | 345065         |
| 4  | S080 | 111227         |
| 5  | S080 | 613195         |
| 6  | S080 | 630248         |
| 7  | S708 | 002105         |
|    |      | ø 1,5 x 220 mm |
| 8  | S708 | 002105         |
|    |      | ø 1,5 x 350 mm |
| 9  | S980 | 044045         |
| 10 | S080 | 112013         |
| 11 | S080 | 120229         |
| 12 | S080 | 436000         |
| 13 | S080 | 120231         |
| 14 | S080 | 613152         |
| 15 | S708 | 130002         |
|    |      | ø 2 x 60 mm    |
| 16 | S080 | 344035         |
| 17 | S080 | 410538         |

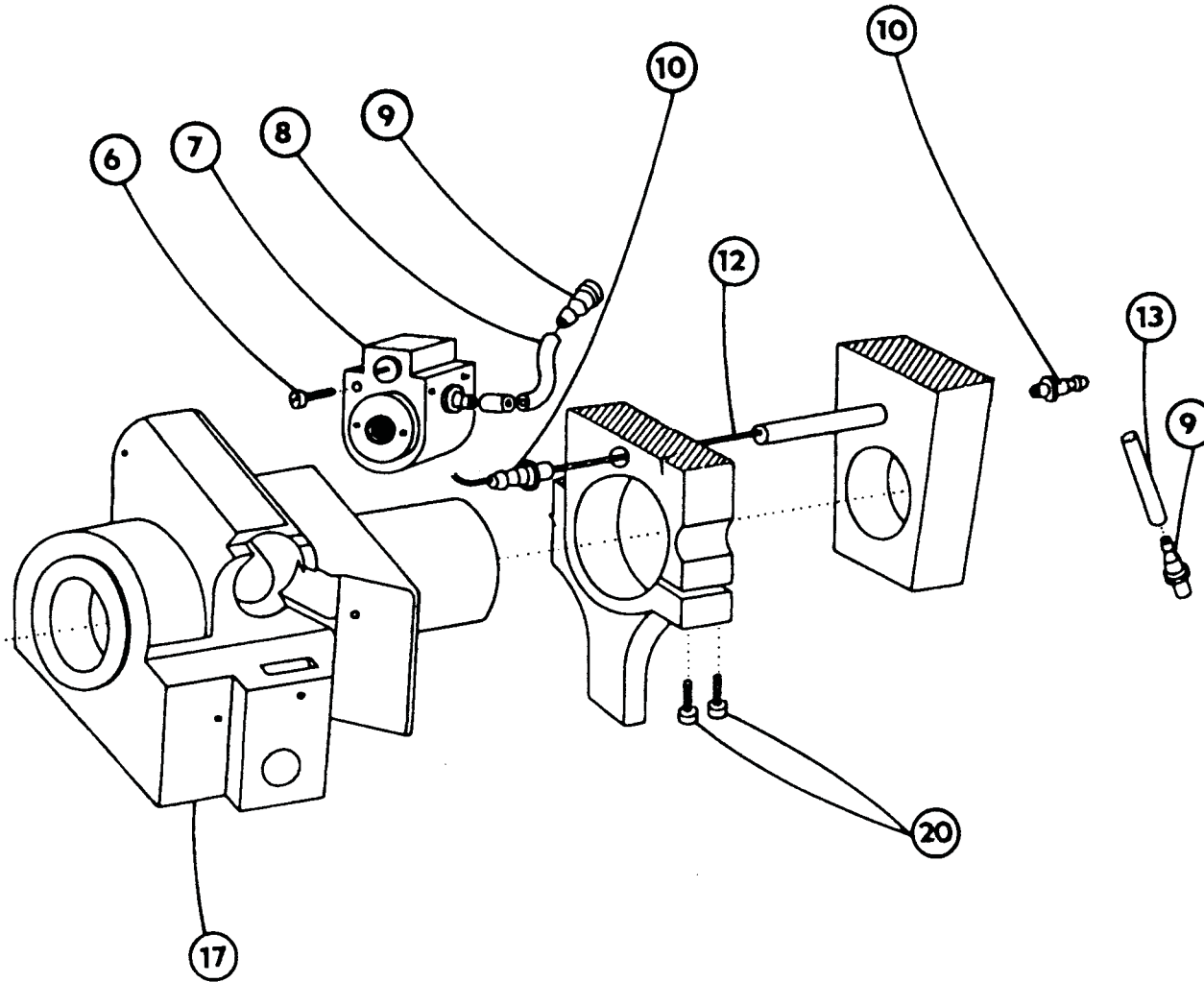
tab. 15



527 - 101

|    |       |             |
|----|-------|-------------|
| 1  | S311  | 733261      |
| 2  | S324  | 920796      |
| 3  | S080  | 111219      |
| 4  | S080  | 441287      |
| 5  | S324  | 910093      |
| 8  | S080  | 724134      |
| 9  | S080  | 552168      |
| 10 | S080  | 120226      |
| 11 | S080  | 945283      |
| 12 | S080  | 120601      |
| 13 | S311  | 733221      |
| 14 | S080  | 825740      |
| 15 | S980  | 008251      |
| 17 | S080  | 825744      |
| 19 | S080  | 685051      |
| 20 | S080  | 120246      |
| 21 | S080  | 945285      |
| 22 | S080  | 190379      |
| 23 | S080  | 111343      |
| 25 | S080  | 122007      |
| 26 | S080  | 613466      |
| 27 | S080  | 111094      |
| 28 | S 080 | 552167      |
| 29 | S324  | 010000      |
| 30 | S080  | 410530      |
| 31 | S080  | 323155      |
| 32 | S080  | 990134      |
| 33 | S080  | 827179      |
| 34 | S980  | 035406      |
| 35 | S708  | 130002      |
|    |       | ø 2 x 40 mm |

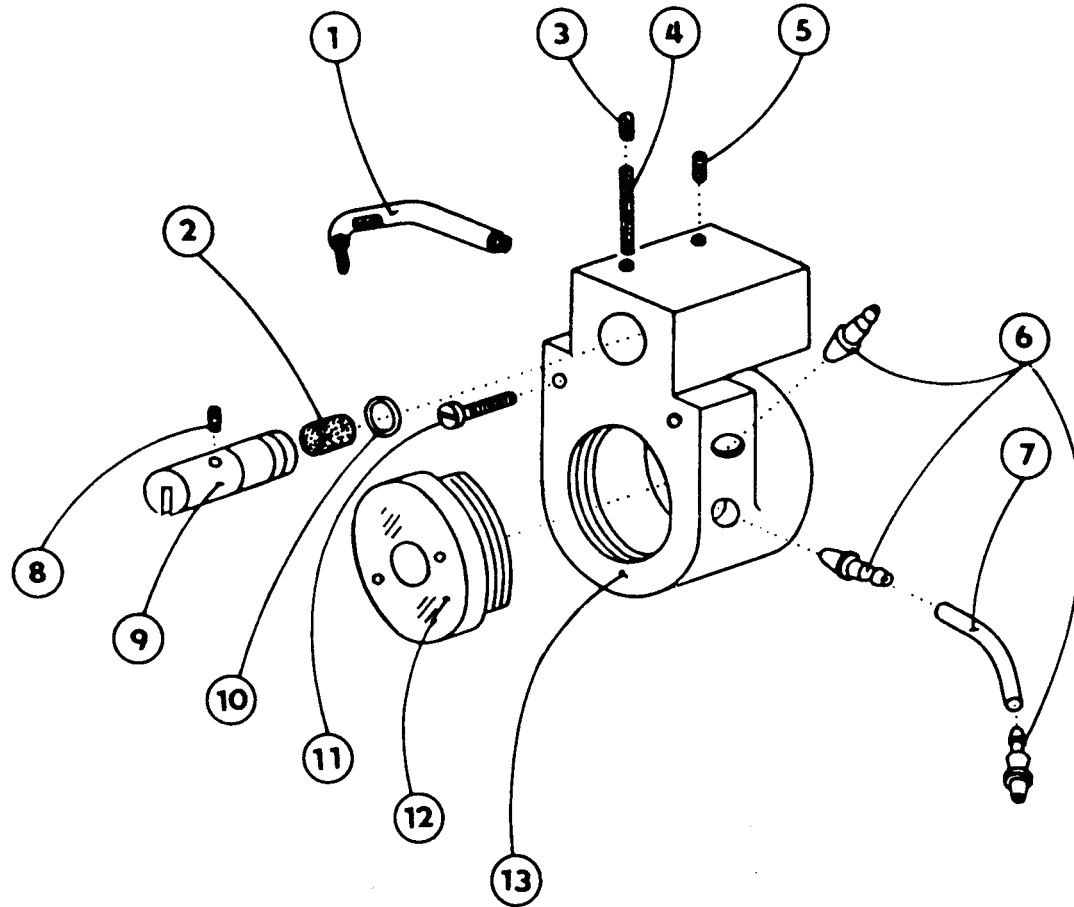
tab. 16



527 - 101

|    |      |        |
|----|------|--------|
| 6  | S080 | 120269 |
| 7  | S980 | 035527 |
| 8  | S283 | 002005 |
| 9  | S080 | 424051 |
| 10 | S080 | 424060 |
| 12 | S708 | 130005 |
| 13 | S283 | 002005 |
| 17 | S080 | 724134 |
| 20 | S080 | 120425 |

tab. 17

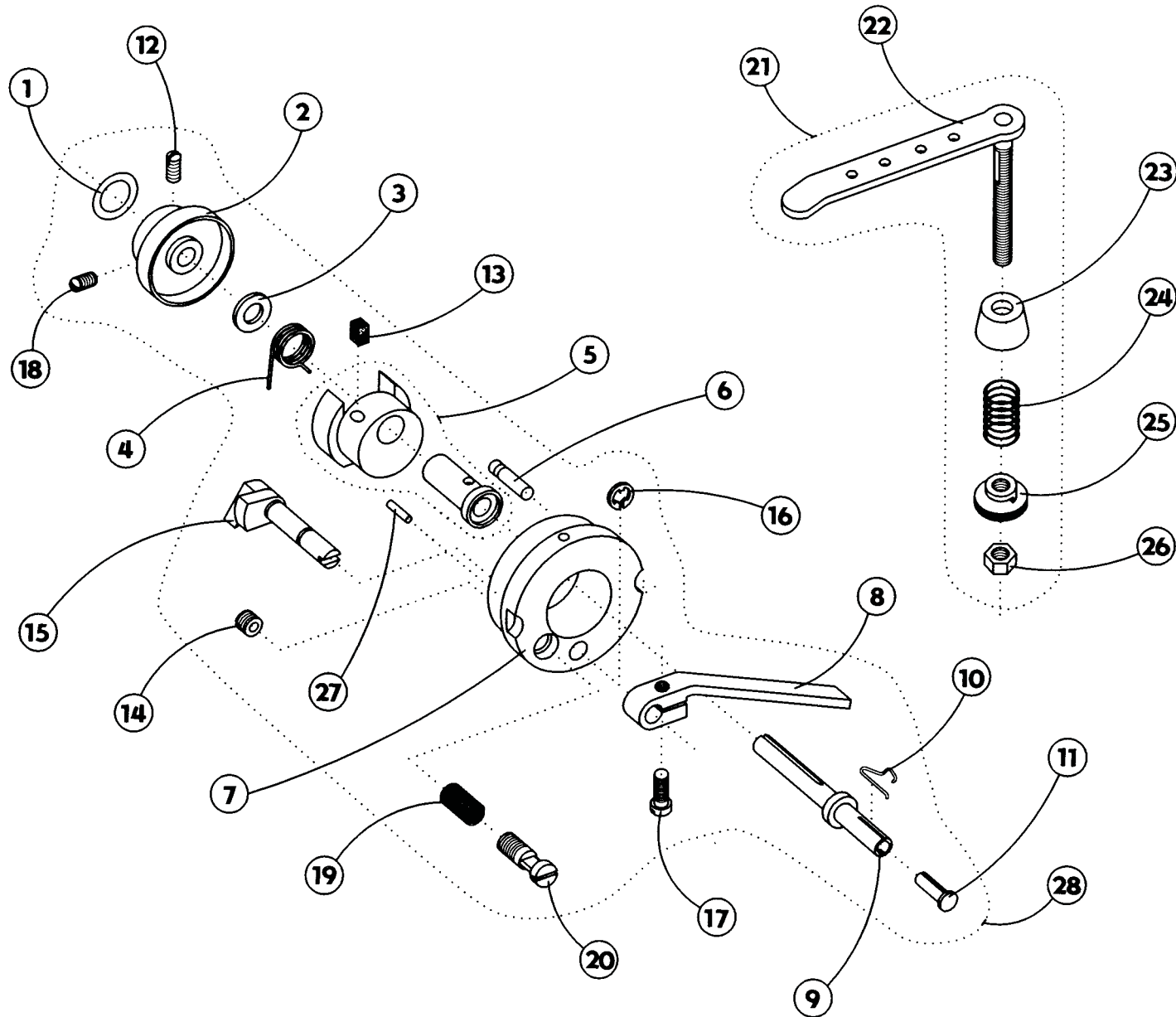


527 - 101

|    |      |                      |
|----|------|----------------------|
| 1  | S980 | 035526               |
| 2  | S080 | 945077               |
| 3  | S080 | 111252               |
| 4  | S080 | 945185               |
| 5  | S080 | 111233               |
| 6  | S080 | 424051               |
| 7  | S283 | 002005               |
|    |      | ø 3,5/ø 4,8 x 100 mm |
| 8  | S080 | 945170               |
| 9  | S080 | 346053               |
| 10 | S273 | 001001               |
| 11 | S080 | 120269               |
| 12 | S321 | 001002               |
| 13 | S080 | 725023               |

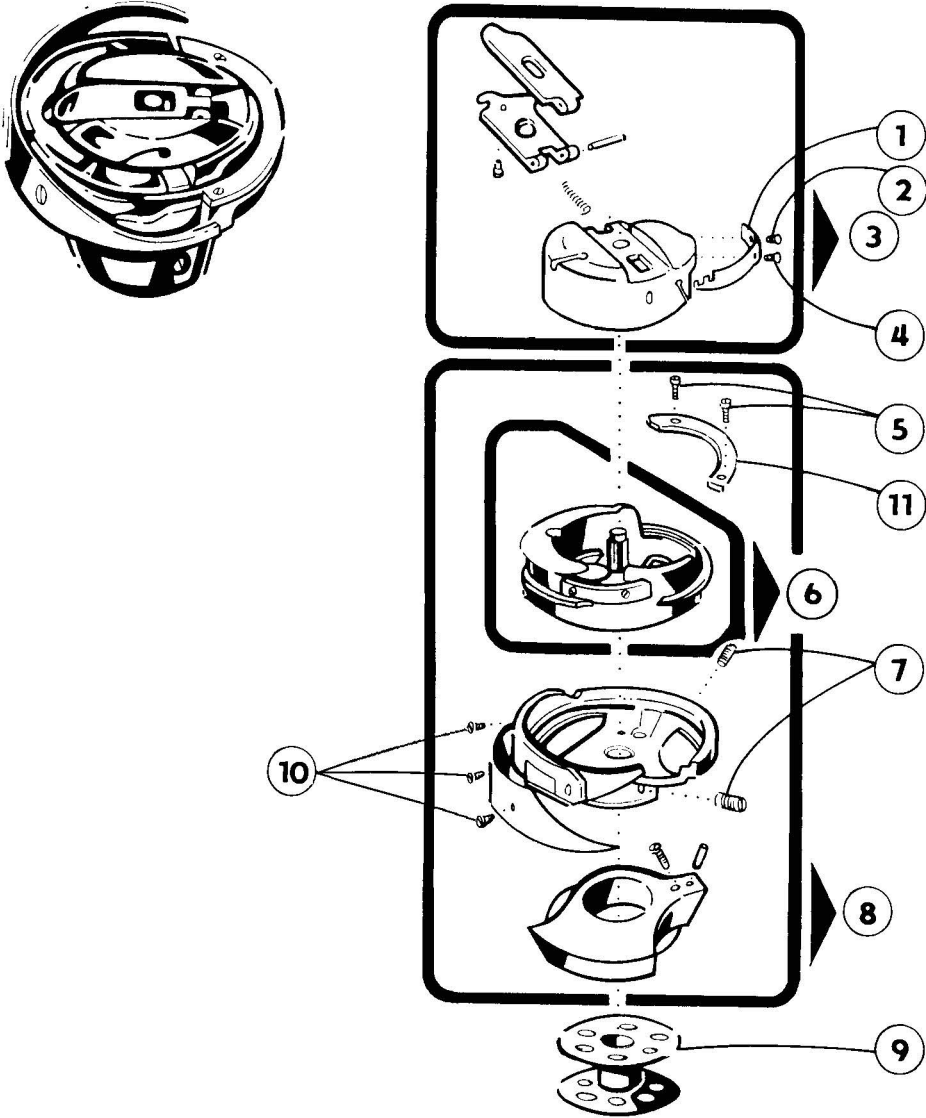
tab. 18

527 - 101



|    |      |        |
|----|------|--------|
| 1  | S273 | 025410 |
| 2  | S080 | 441560 |
| 3  | S080 | 190593 |
| 4  | S080 | 264281 |
| 5  | S980 | 035654 |
| 6  | S080 | 310377 |
| 7  | S080 | 441308 |
| 8  | S080 | 613468 |
| 9  | S080 | 343074 |
| 10 | S080 | 265037 |
| 11 | S321 | 953200 |
| 12 | S080 | 112115 |
| 13 | S080 | 945296 |
| 14 | S080 | 111094 |
| 15 | S080 | 672174 |
| 16 | S311 | 732040 |
| 17 | S080 | 124050 |
| 18 | S080 | 111230 |
| 19 | S080 | 260483 |
| 20 | S080 | 870170 |
| 21 | S980 | 025248 |
| 22 | S980 | 025249 |
| 23 | S080 | 827194 |
| 24 | S080 | 260510 |
| 25 | S080 | 163106 |
| 26 | S080 | 161138 |
| 27 | S311 | 515091 |
| 28 | S980 | 036122 |

tab. 19



527 - 101

S980 008251

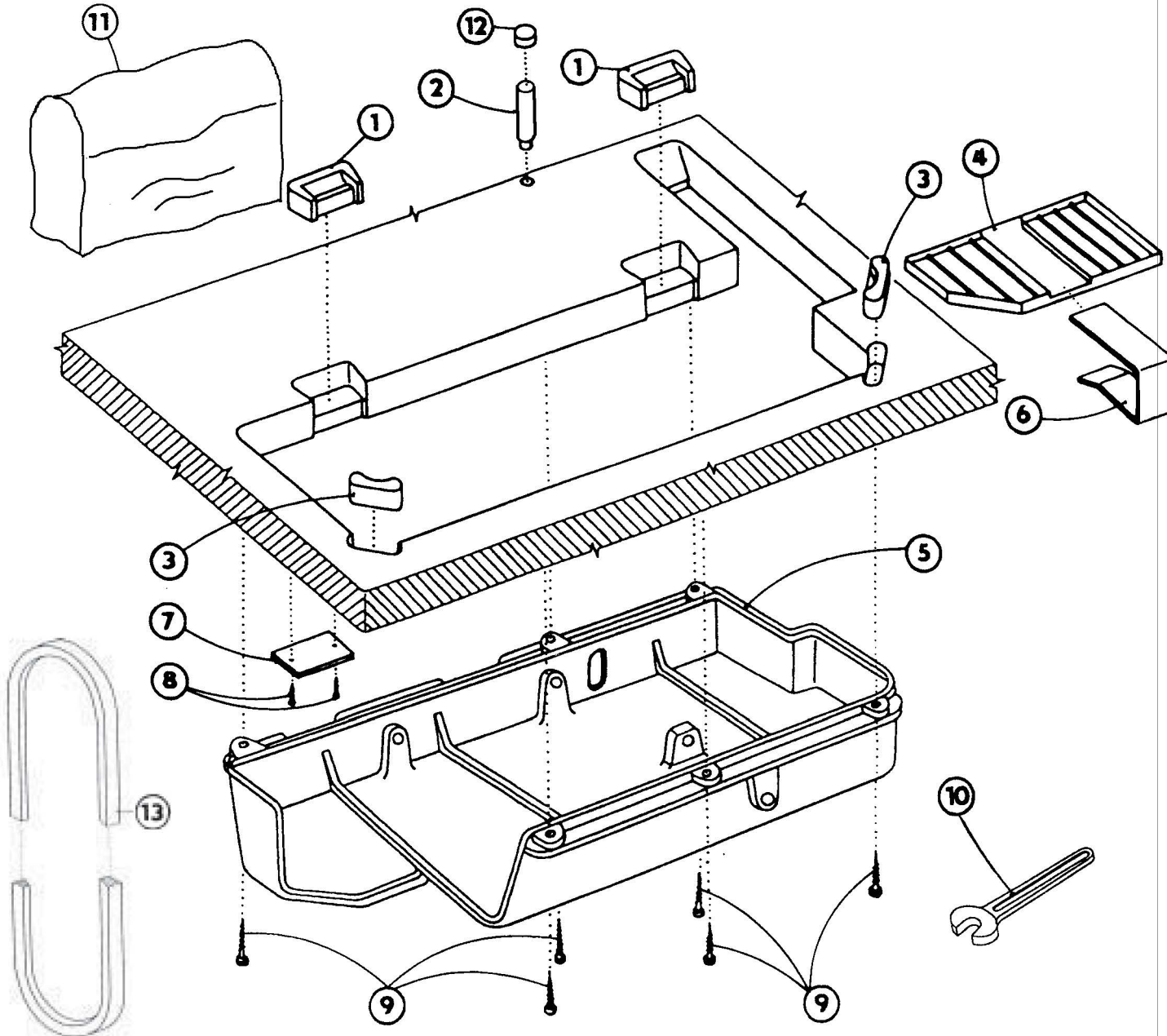
- 1 S080 690029
- 2 S080 683063
- 3 S980 081122
- 4 S080 683053
- 5 S080 683064
- 6 S980 081138
- 7 S080 683067
- 8 S980 081139
- 9 S080 685051
- 10 S080 683083
- 11 S080 681029

tab. 20

527 - 101

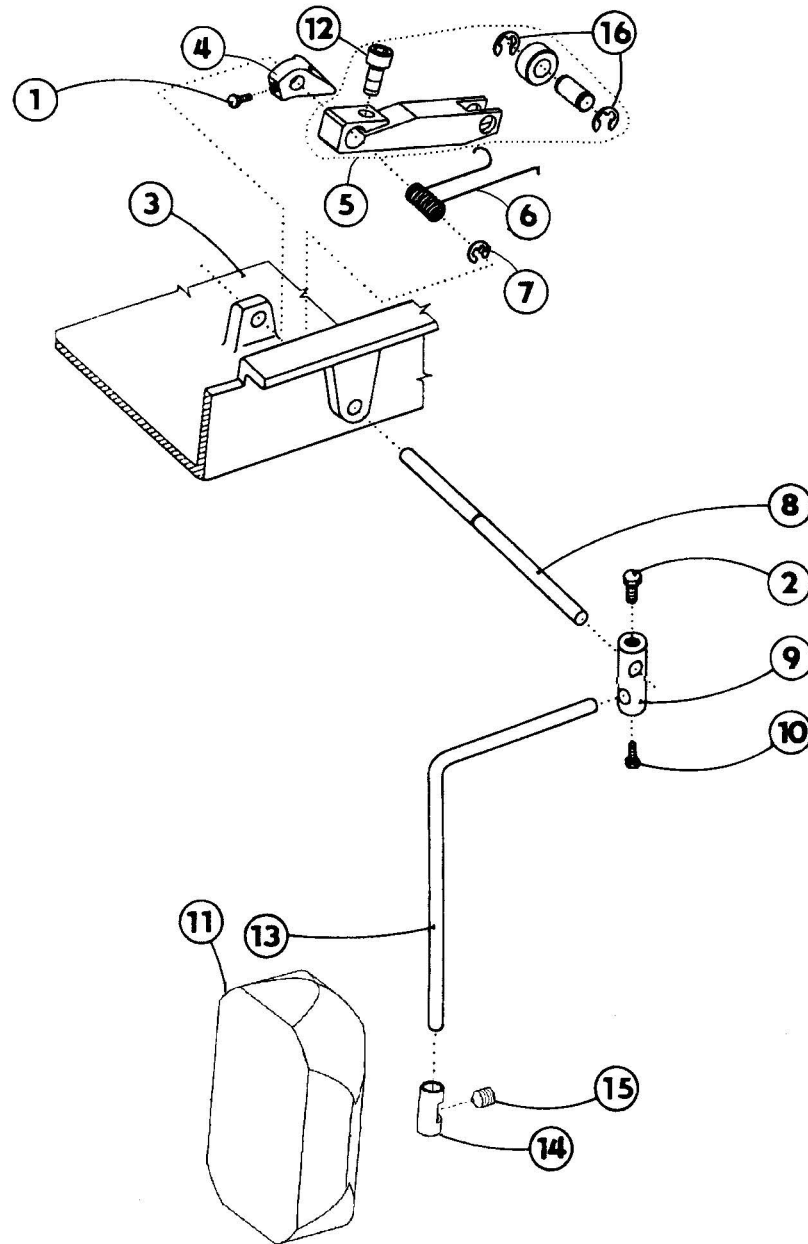
S980 099038/1

- |    |      |        |
|----|------|--------|
| 1  | S273 | 940127 |
| 2  | S615 | 932046 |
| 3  | S273 | 940141 |
| 4  | S321 | 953251 |
| 5  | S080 | 725050 |
| 6  | S080 | 826387 |
| 7  | S080 | 941091 |
| 8  | S314 | 016020 |
| 9  | S080 | 225031 |
| 10 | S413 | 100130 |
| 11 | 0APP | 000301 |
| 12 | S321 | 026000 |
| 13 | S272 | 221000 |





tab. 21

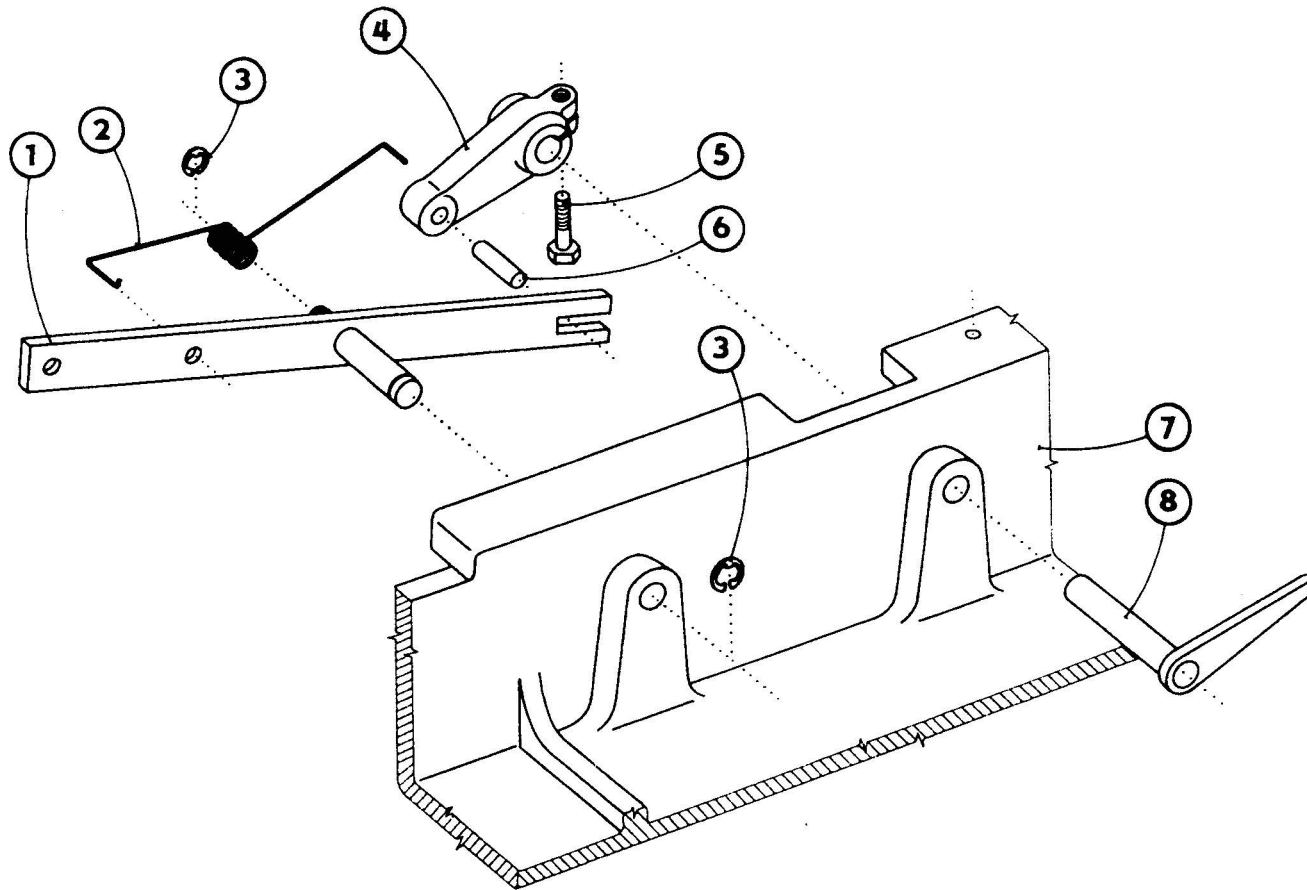


527 - 101

S980 099038/2

|    |      |        |
|----|------|--------|
| 1  | S080 | 141141 |
| 2  | S080 | 141121 |
| 3  | S080 | 725050 |
| 4  | S080 | 625022 |
| 5  | S980 | 027603 |
| 6  | S080 | 264168 |
| 7  | S311 | 732070 |
| 8  | S080 | 314065 |
| 9  | S080 | 318069 |
| 10 | S080 | 141112 |
| 11 | 0396 | 130013 |
| 12 | S080 | 120295 |
| 13 | S080 | 383022 |
| 14 | S080 | 416146 |
| 15 | 9205 | 102788 |
| 16 | S311 | 732060 |

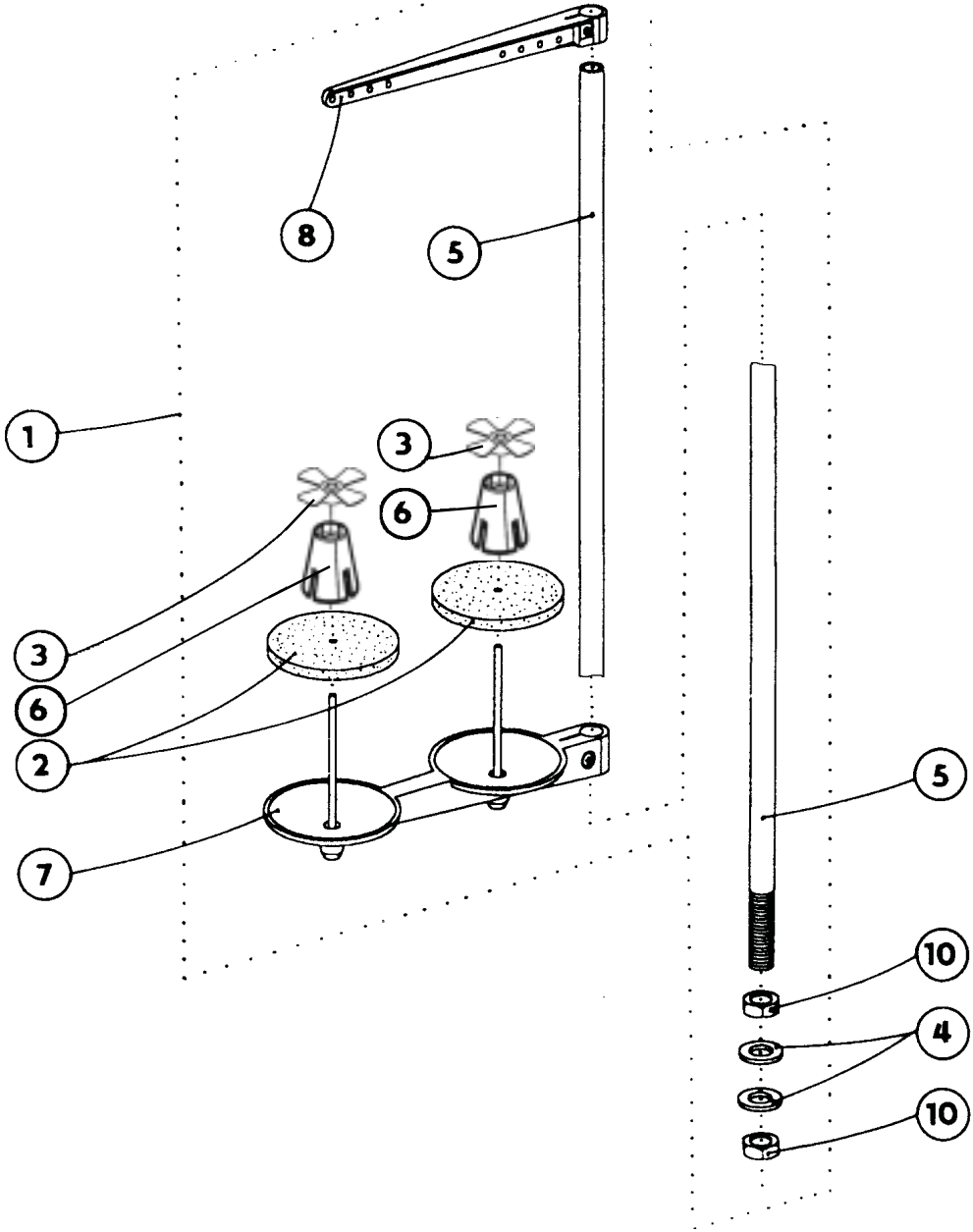
tab. 22



527 - 101

S980 099038 /3

- 1 S980 049109
- 2 S080 264290
- 3 S311 732070
- 4 S080 613480
- 5 S080 141109
- 6 S311 515041
- 7 S080 725050
- 8 S980 044142



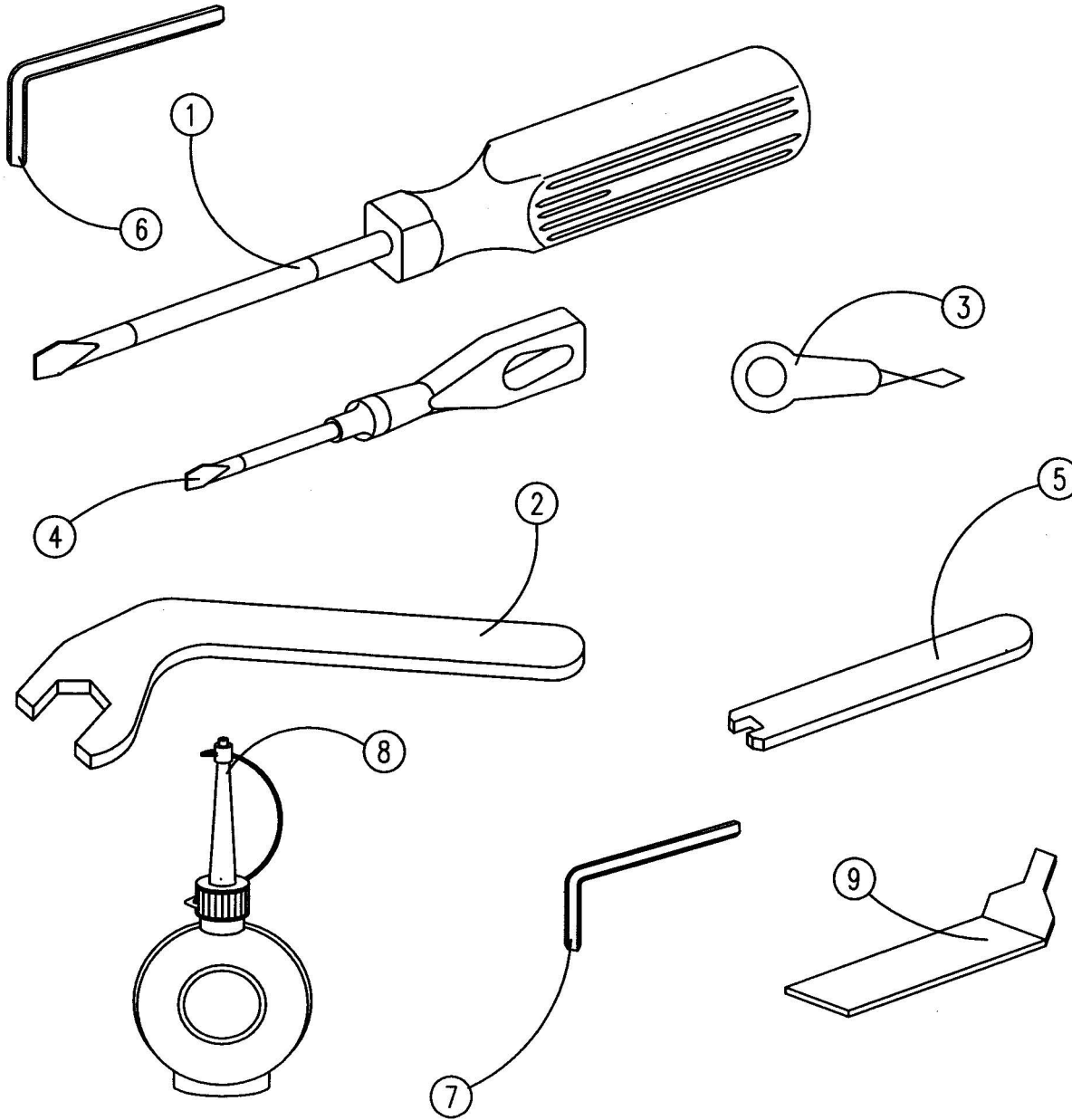
|    |      |        |     |
|----|------|--------|-----|
| 1  | S981 | 036163 |     |
| 2  | 0077 | 110220 | 4 x |
| 3  | 0077 | 110230 | 4 x |
| 4  | 9330 | 000177 |     |
| 5  | 0791 | 001081 |     |
| 6  | 0791 | 580100 | 4 x |
| 7  | 0791 | 001091 | 2 x |
| 8  | 0791 | 001096 | 2 x |
| 10 | 0995 | 340617 |     |

tab. 24

527 - 101

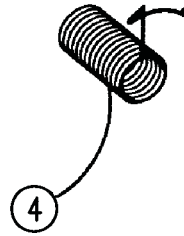
S980 099038 /5

- 1 S413 731023
- 2 S080 818273
- 3 S548 001000
- 4 S413 310002
- 5 S080 813481
- 6 S413 000500
- 7 S413 000400
- 8 S562 002000
- 9 S080 829796
- 10 **S980 092220**



tab. 25

1



2



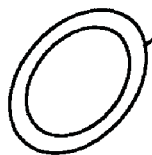
3



8



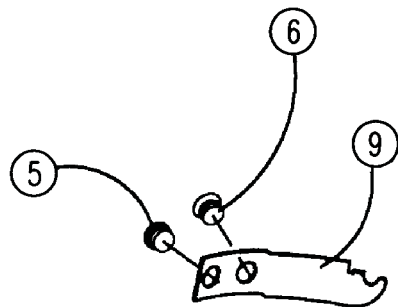
7



6

9

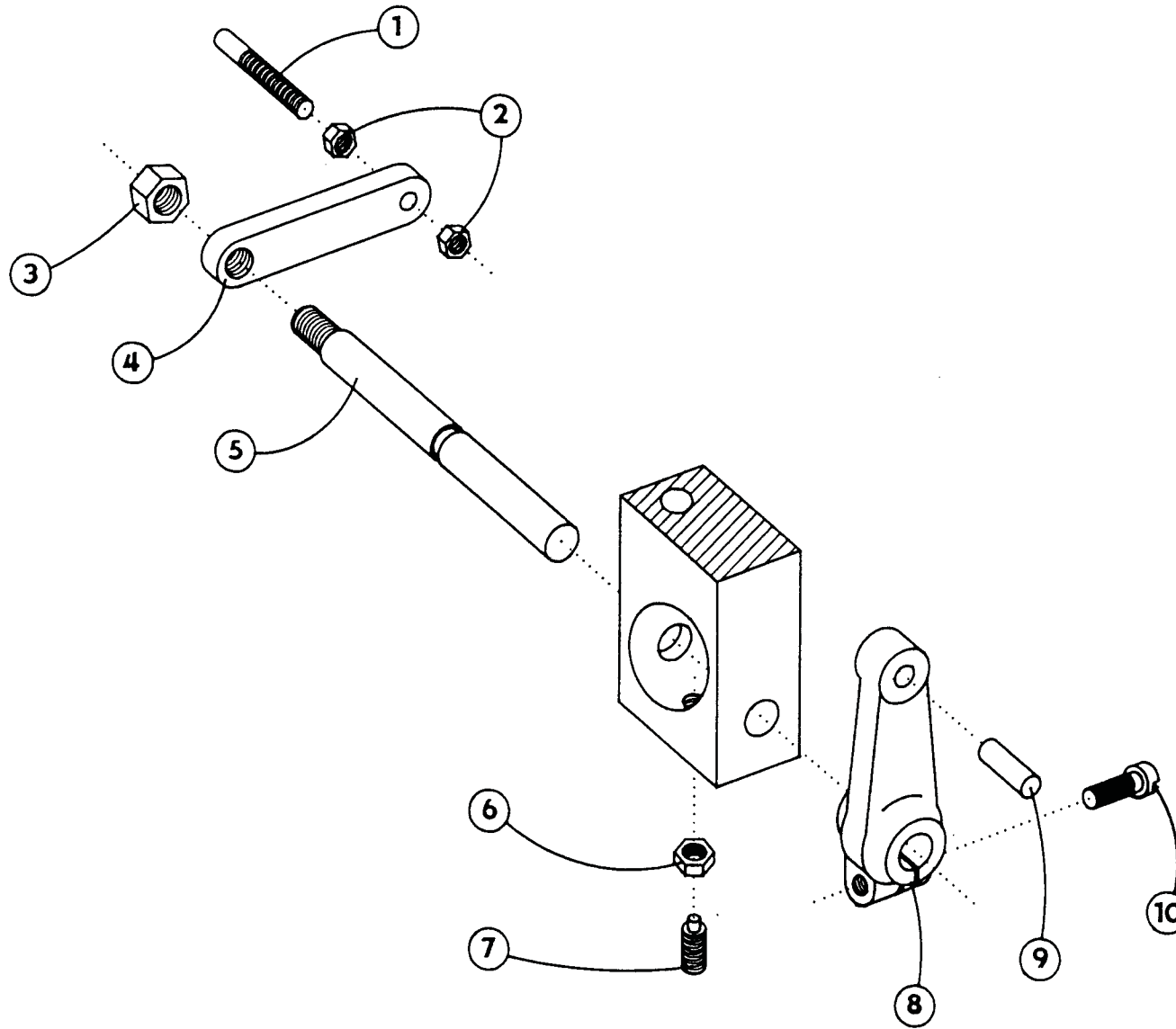
5



527 - 101

|   |             |               |      |
|---|-------------|---------------|------|
| 1 | <b>S980</b> | <b>092229</b> |      |
| 2 | S080        | 265037        | 4 x  |
| 3 | S321        | 953200        | 2 x  |
| 4 | S315        | 264294        | 4 x  |
| 5 | S080        | 683063        | 4 x  |
| 6 | S080        | 683053        | 4 x  |
| 7 | S273        | 025410        | 4 x  |
| 8 | S080        | 685051        | 10 x |
| 9 | S080        | 690029        | 4 x  |

tab. 26

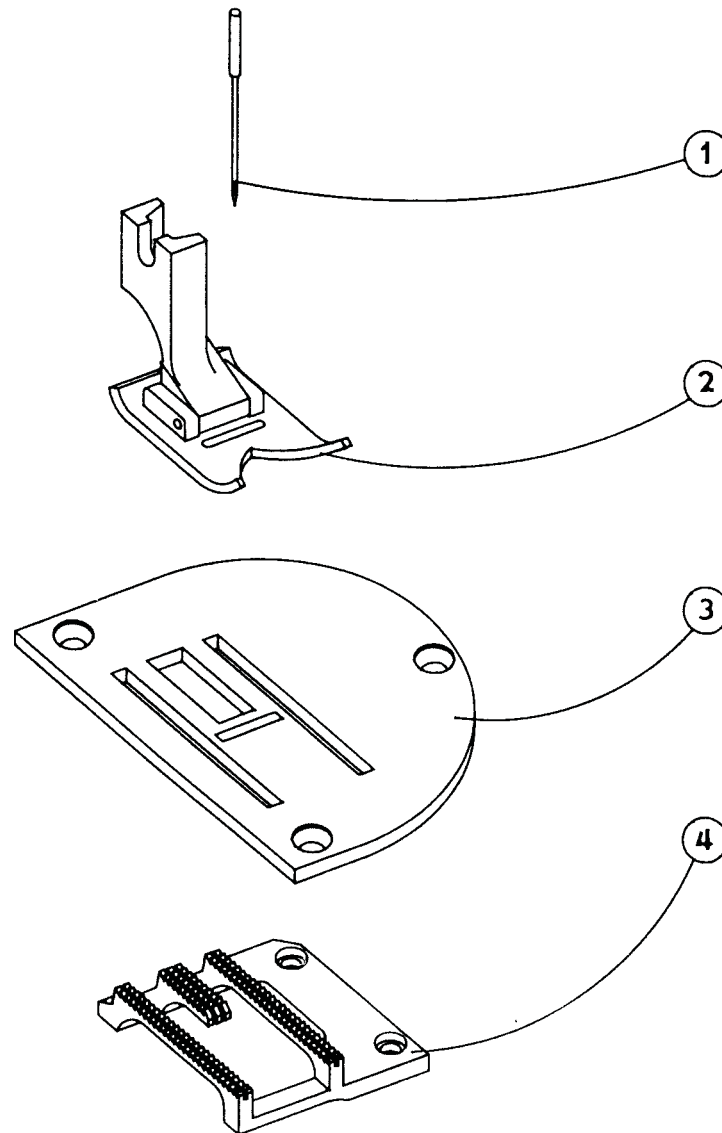


527 - 101

S791 995068

|    |      |        |
|----|------|--------|
| 1  | S080 | 316038 |
| 2  | S080 | 161143 |
| 3  | S080 | 161159 |
| 4  | S080 | 632019 |
| 5  | S080 | 342096 |
| 6  | S080 | 161140 |
| 7  | S080 | 111097 |
| 8  | S080 | 613480 |
| 9  | S311 | 515035 |
| 10 | S080 | 120230 |

tab. 27



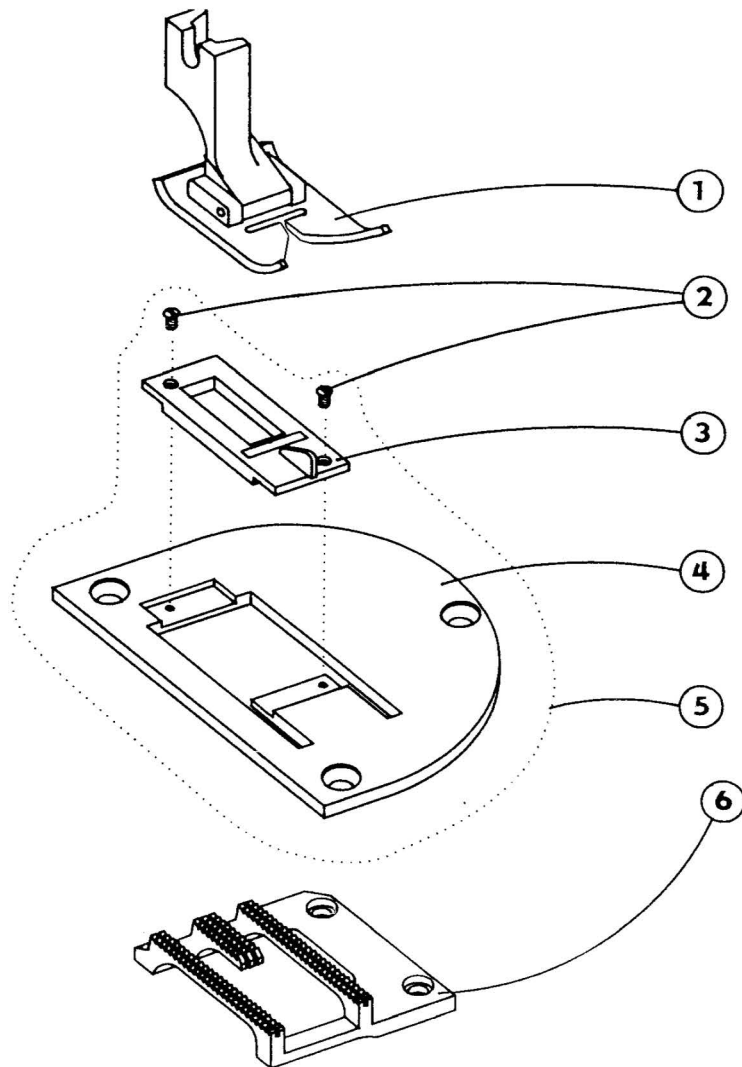
527 - 101

527 E 461

S791 124061 35

- 1 134 No. 100 - 11x
- 2 S980 031603
- 3 S080 811634
- 4 S080 651428

tab. 28



527 - 101

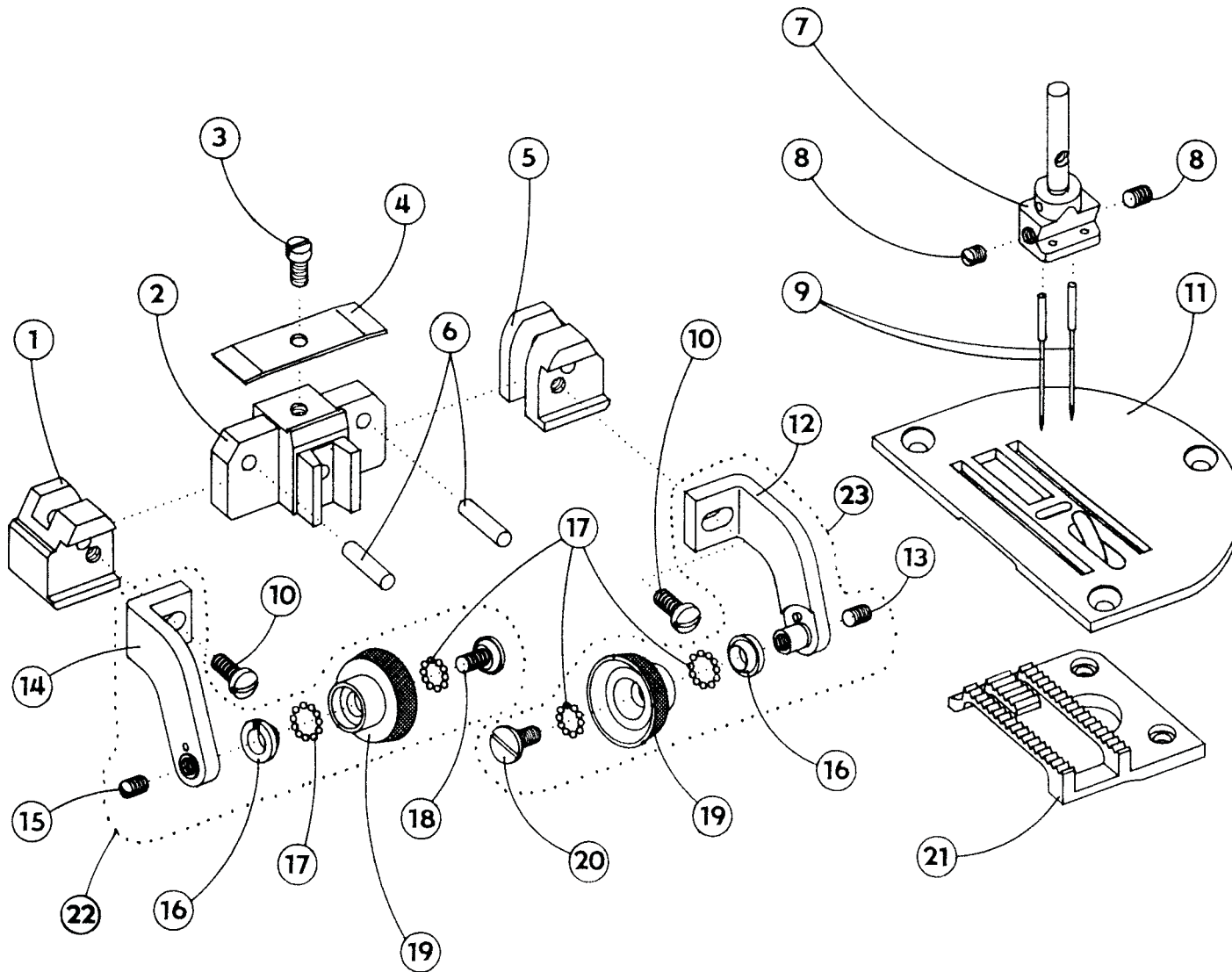
527 E 023

S791 400023

|   |      |        |
|---|------|--------|
| 1 | S980 | 031604 |
| 2 | S080 | 124061 |
| 3 | S080 | 049443 |
| 4 | S080 | 811633 |
| 5 | S980 | 022282 |
| 6 | S080 | 651428 |



tab. 29



527 - 101

527 E 048

S791 430048 35/1

7 mm

527 E 060

S791 430060 35/1 A

4 mm

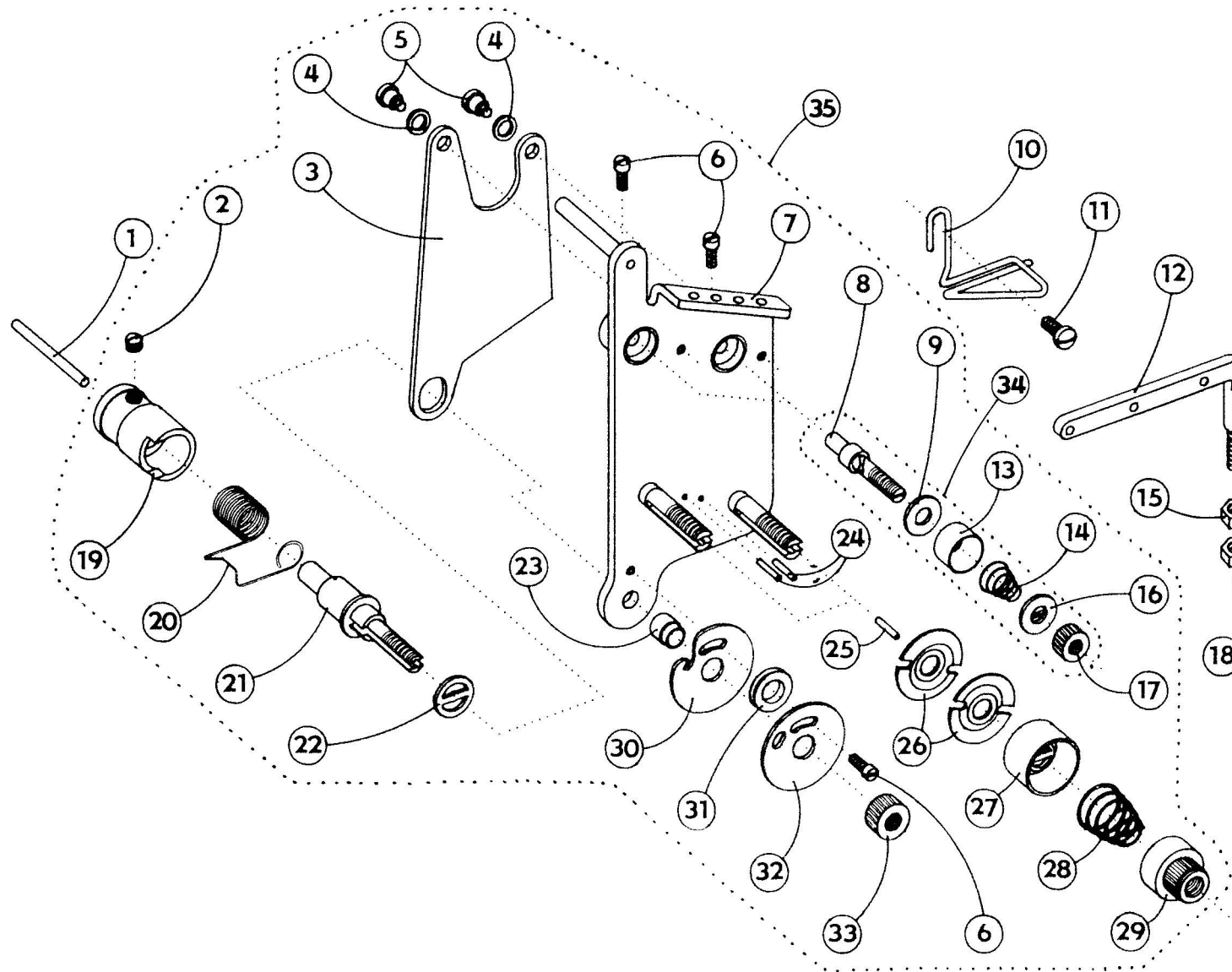
527 E 061

S791 430061 35/1 B

5 mm

|    |                |          |
|----|----------------|----------|
| 1  | S080           | 646459   |
| 2  | S080           | 743106   |
| 3  | S080           | 120217   |
| 4  | S080           | 281133   |
| 5  | S080           | 646460   |
| 6  | S311           | 515026   |
| 7  | S080           | 394203   |
| 7  | S080           | 394158 A |
| 7  | S080           | 394159 B |
| 8  | S080           | 111109   |
| 9  | 134 LR No. 130 | - 12 x   |
| 9  | 134 LR No. 90  | - 12 x A |
| 9  | 134 LR No. 110 | - 12 x B |
| 10 | S080           | 124086   |
| 11 | S980           | 022840   |
| 11 | S980           | 022867 A |
| 11 | S980           | 022868 B |
| 12 | S980           | 059054   |
| 13 | S080           | 111212   |
| 15 | S080           | 111142   |
| 21 | S080           | 651499   |
| 21 | S080           | 651509 A |
| 21 | S080           | 651510 B |
| 22 | S980           | 031645   |
| 23 | S980           | 031646   |

tab. 30



527 - 101

527 E 048

S791 430048 35/2

7 mm

527 E 060

S791 430060 35/2

4 mm

527 E 061

S791 430061 35/2

5 mm

|    |      |        |
|----|------|--------|
| 1  | S080 | 310436 |
| 2  | S080 | 112012 |
| 3  | S080 | 825733 |
| 4  | S080 | 190520 |
| 5  | S080 | 135023 |
| 6  | S080 | 120245 |
| 7  | S080 | 049805 |
| 8  | S080 | 118051 |
| 9  | S080 | 828051 |
| 10 | S080 | 271409 |
| 11 | S080 | 132163 |
| 12 | S080 | 313204 |
| 13 | S080 | 827174 |
| 14 | S080 | 262065 |
| 15 | S080 | 161146 |
| 16 | S081 | 200025 |
| 17 | S080 | 171030 |
| 18 | S080 | 161138 |
| 19 | S080 | 414023 |
| 20 | S315 | 264162 |
| 21 | S080 | 118003 |
| 22 | S080 | 195004 |
| 23 | S080 | 421129 |
| 24 | S311 | 515011 |
| 25 | S311 | 510008 |
| 26 | S080 | 828046 |
| 27 | S080 | 827048 |
| 28 | S315 | 262024 |
| 29 | S080 | 173017 |
| 30 | S080 | 828048 |
| 31 | S080 | 418039 |
| 32 | S080 | 828047 |
| 33 | S080 | 171023 |
| 34 | S980 | 025271 |
| 35 | S980 | 025272 |

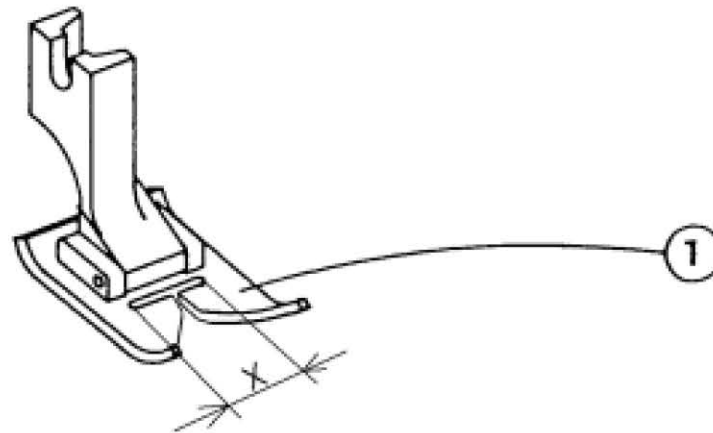
tab. 31

527 - 101

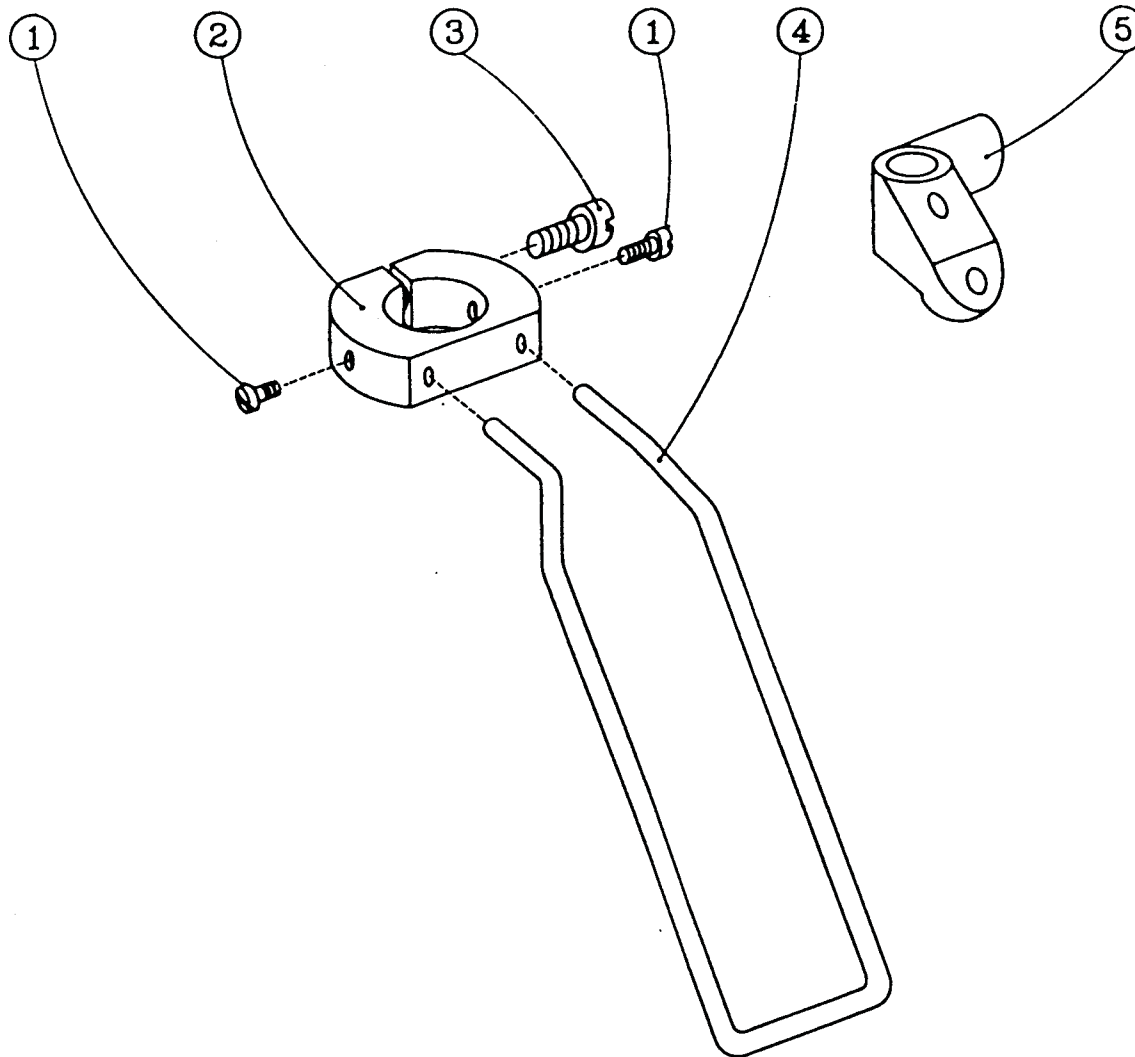
525 E 017  
S791 151017

1 S980 031652

X = 10 mm



tab. 32



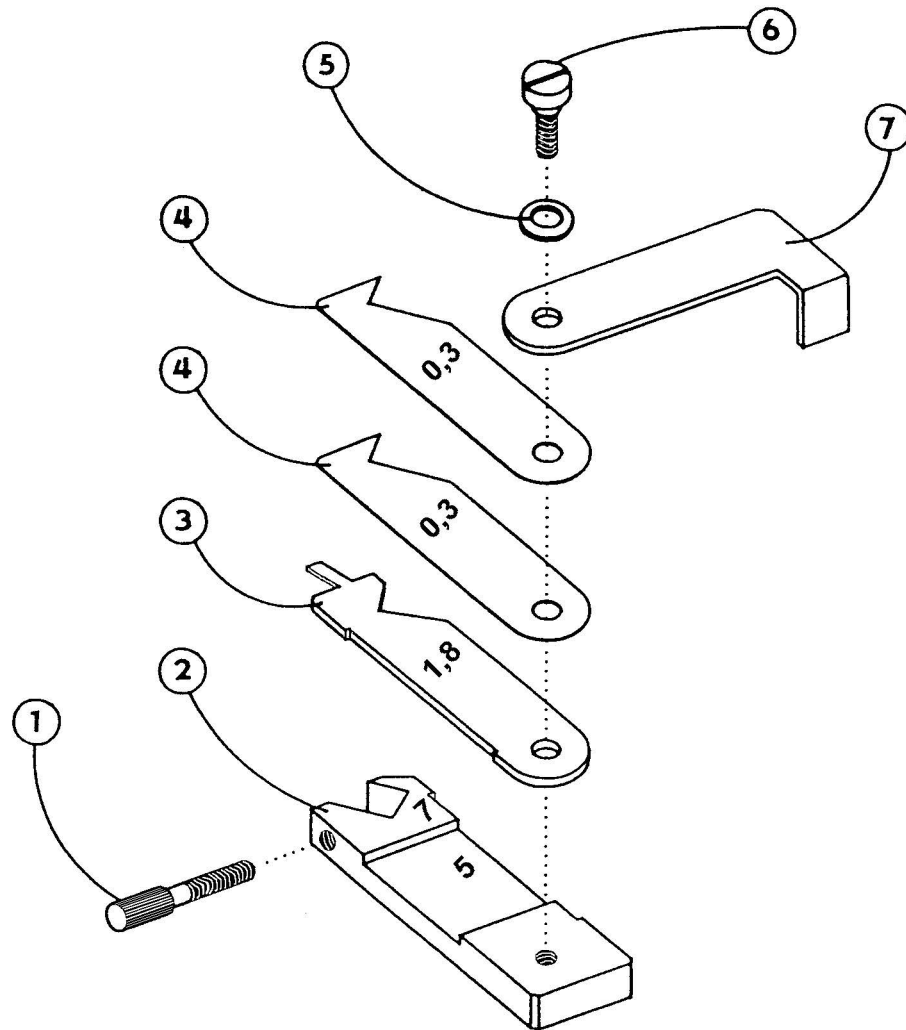
527 - 101

527 N 001

S791 149001

|   |      |        |
|---|------|--------|
| 1 | S080 | 120037 |
| 2 | S080 | 646136 |
| 3 | S080 | 120225 |
| 4 | S080 | 271441 |
| 5 | S080 | 627037 |

tab. 33














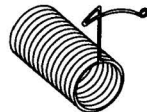
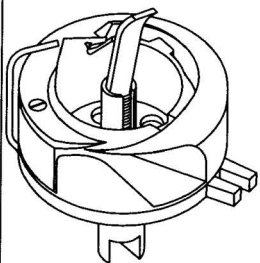






527 - 101

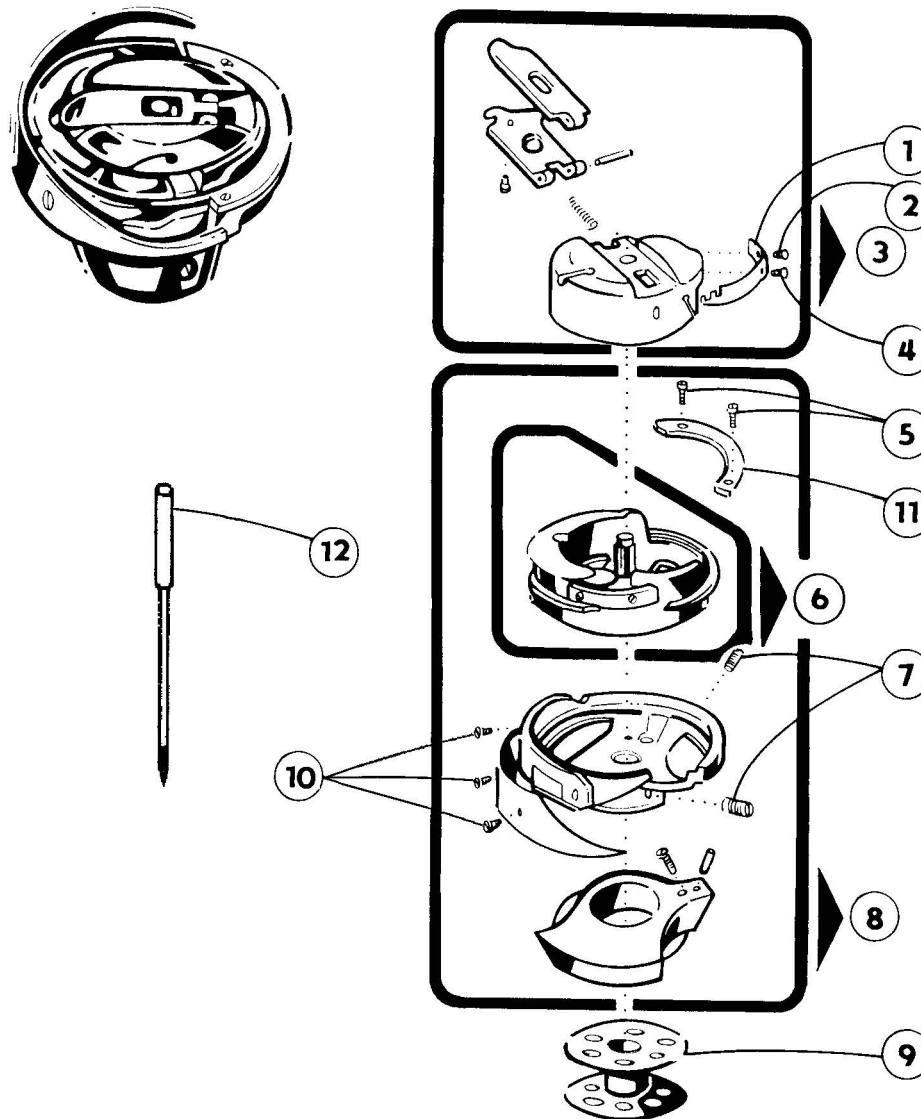
Z 001

S791947001

|   |      |        |
|---|------|--------|
| 1 | S080 | 133112 |
| 2 | S080 | 646148 |
| 3 | S080 | 814365 |
| 4 | S080 | 814364 |
| 5 | S080 | 192061 |
| 6 | S080 | 131404 |
| 7 | S080 | 831412 |

|  |  |   |  |  |  |
|--|--|---|--|--|--|
| 3x<br><br>S080 111109   | 3x<br><br>S080 141088   | 5x<br><br>S080 683063  | 5x<br><br>S080 683053 | 3x<br><br>S080 135029 | 3x<br><br>S080 120239 |
| 5x<br><br>S080 123117   | 3x<br><br>S080 265037   | 1x<br><br>S080 627170  | 3x<br><br>S080 136082  | 3x<br><br>S080 124050 | 5x<br><br>S080 112013 |
| 3x<br><br>S080 690029   | 5x<br><br>S315 264294   | 1x<br><br>S980 008251 | 1x<br><br>S980 025244 | 3x<br><br>S273 025410 |  |
| 3x<br><br>S080 122029 | 1x<br><br>S080 264281 |   |  |  |  |

tab. 35

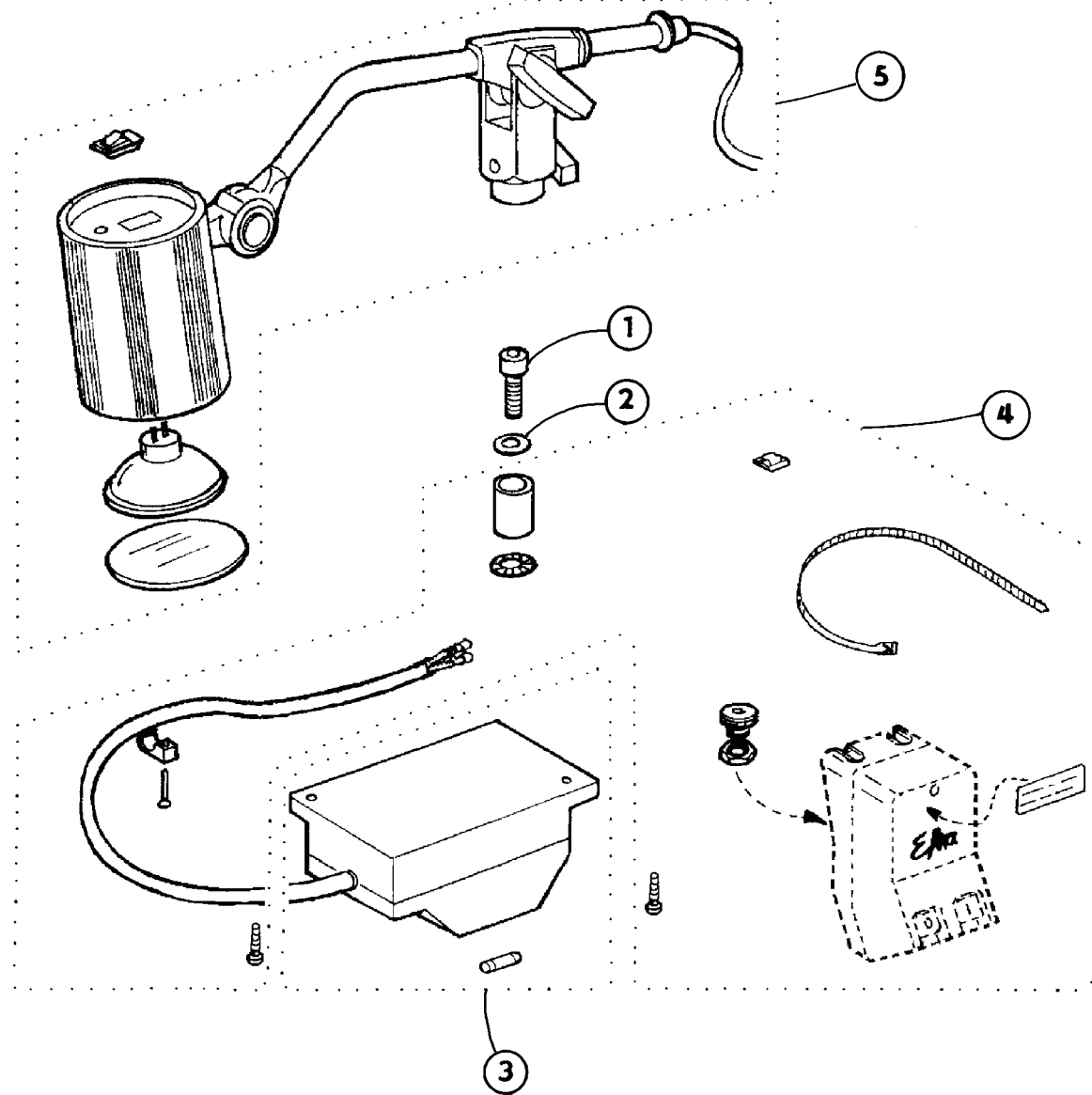


527 - 101

527 Z 055  
S791430055 35

- |    |      |               |
|----|------|---------------|
| 1  | S080 | 690029        |
| 2  | S080 | 683063        |
| 3  | S980 | 081122        |
| 4  | S080 | 683053        |
| 5  | S080 | 683064        |
| 6  | S980 | 081161        |
| 7  | S080 | 683067        |
| 8  | S980 | 081160        |
| 9  | S080 | 685051        |
| 10 | S080 | 683083        |
| 11 | S080 | 681029        |
| 12 | 134  | No. 160 - 12x |

tab. 36



527 - 101

Z012

S794 222012

|   |      |        |
|---|------|--------|
| 1 | S080 | 120692 |
| 2 | S080 | 190346 |
| 3 | 0798 | 500088 |
| 4 | 0907 | 487519 |
| 5 | 9822 | 510001 |